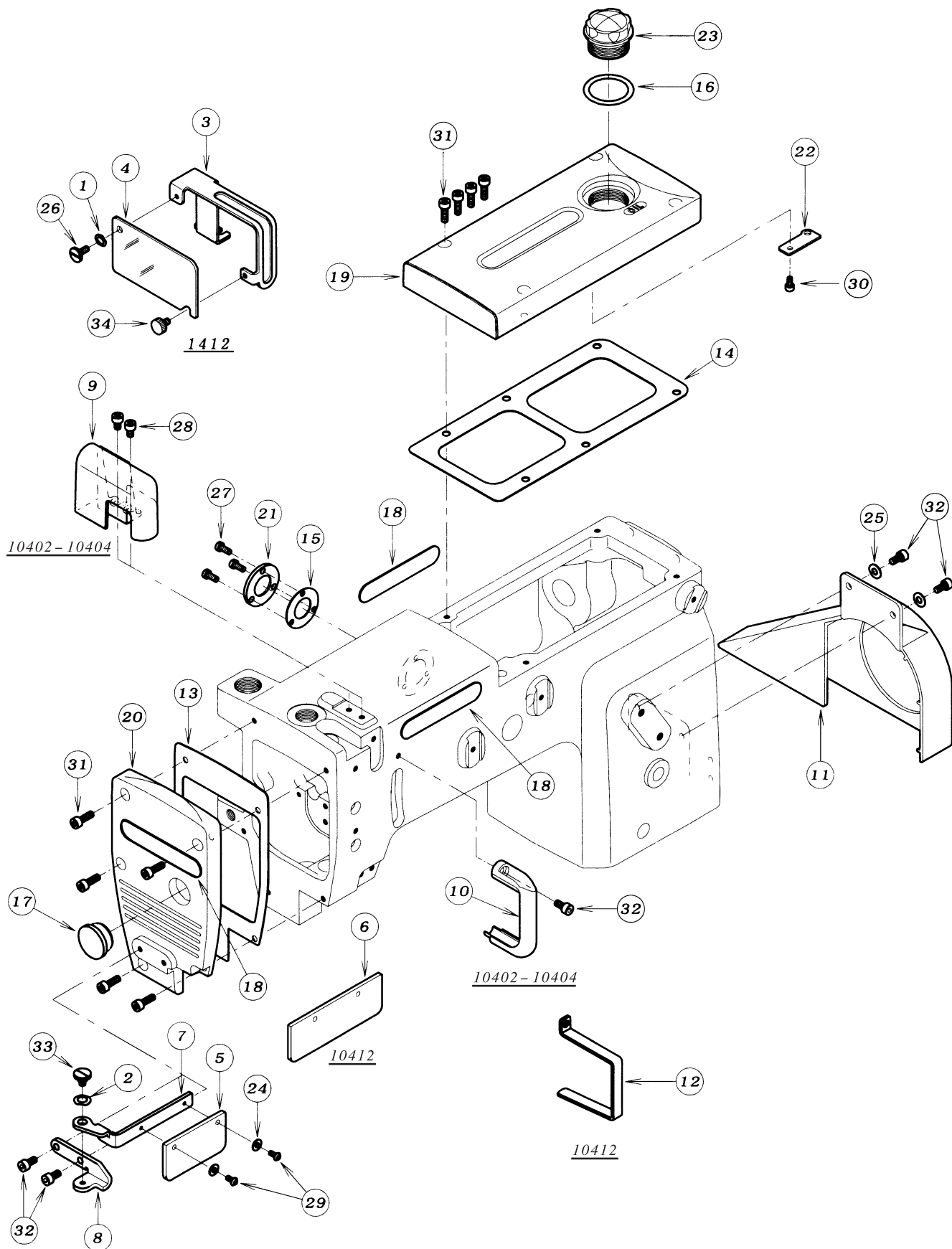


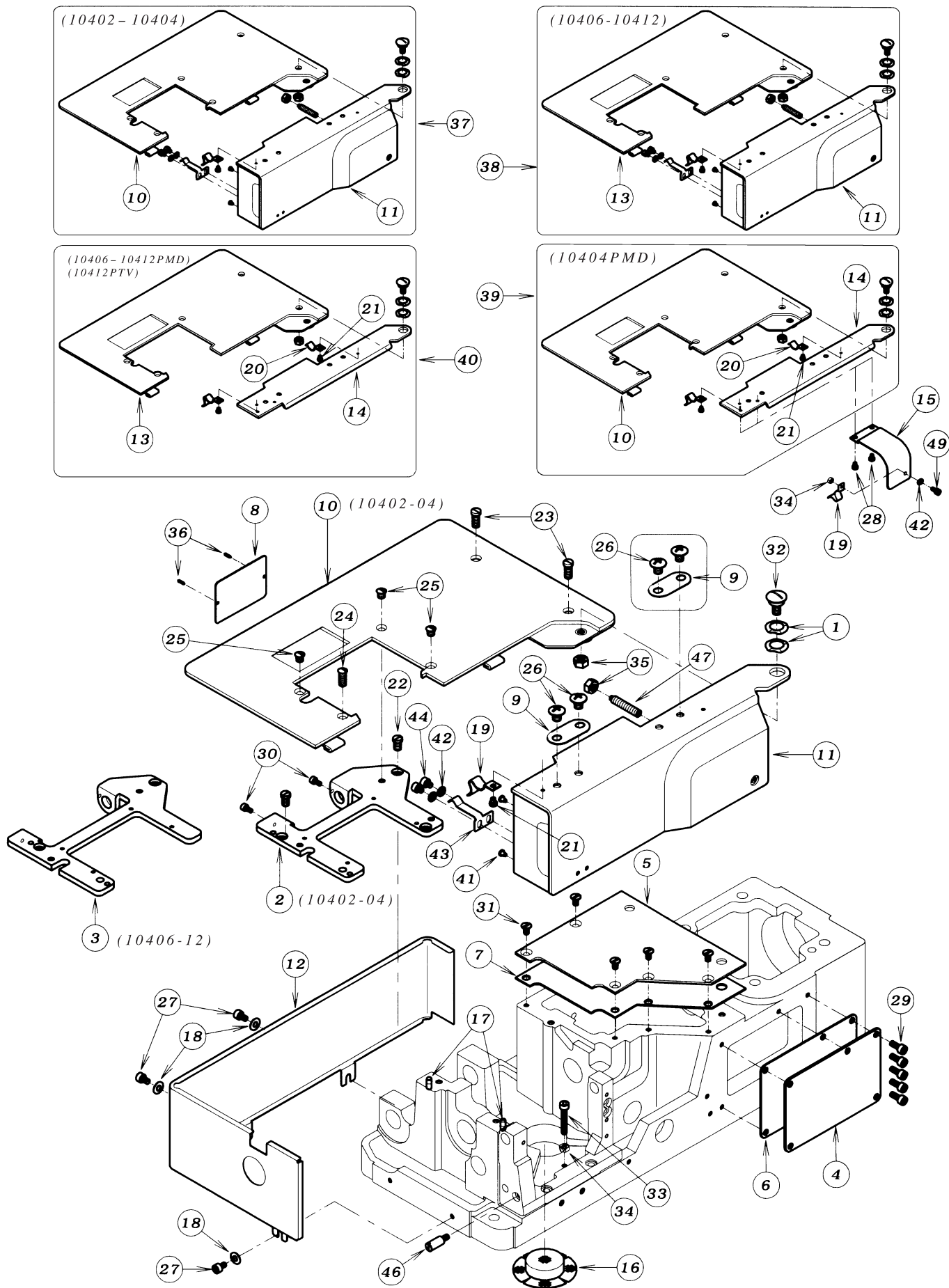
CONTENTS

1. FRAME ASSEMBLY(1)-----	1
2. FRAME ASSEMBLY-----	3
3. THREAD TENSION MECHANISM-----	5
4. THREAD TENSION MECHANISM(10412)-----	7
5. BUSHING-----	9
6. NEEDLE BAR & LEVER MECHANISM-----	11
7. CRANKSHAFT MECHANISM-----	13
8. FEED MECHANISM-----	15
9. LOOPER MECHANISM-----	17
10. PRESSER FOOT MECHANISM-----	19
11. LUBRICATION MECHANISM-----	21
12. REAR PULLER MECHANISM (10404)-----	23
13. REAR PULLER MECHANISM (10406~10412)-----	25
14. REAR PULLER MECHANISM-----	27
15. METERING DEVICE MECHANISM-----	29
16. TAPE GUIDE ASSEMBLY-----	31
17. THREAD STAND AND TABLE (1)-----	33
18. THREAD STAND AND TABLE (2)-----	35
19. ACCESSORIES-----	37
20. MODEL MR EXCLUSIVE PARTS (1)-----	39
21. MODEL MR EXCLUSIVE PARTS (2)-----	41
22. MODEL MR EXCLUSIVE PARTS (3)-----	43
23. MODEL PQ EXCLUSIVE PARTS (1)-----	45
24. MODEL PQ EXCLUSIVE PARTS (2)-----	47
25. MODEL PQ EXCLUSIVE PARTS (3)-----	49
26. MODEL PTV EXCLUSIVE PARTS-----	51
27. MODEL PSM EXCLUSIVE PARTS (1)-----	53
28. MODEL PSM EXCLUSIVE PARTS (2)-----	55
29. MODEL PSM EXCLUSIVE PARTS (3)-----	57
30. MODEL PSM EXCLUSIVE PARTS (4)-----	59
31. MODEL 10403PSM EXCLUSIVE PARTS (1)-----	61
32. MODEL 10403PSM EXCLUSIVE PARTS (2)-----	63
33. MODEL 10403PSM EXCLUSIVE PARTS (3)-----	65
34. GAUGE PARTS (1)-----	67
35. GAUGE PARTS (2)-----	69
36. GAUGE PARTS (3)-----	71
37. GAUGE PARTS TABLE (1)-----	73
38. GAUGE PARTS TABLE (2)-----	74
INDEX-----	75-78

1. FRAME ASSEMBLY(1)

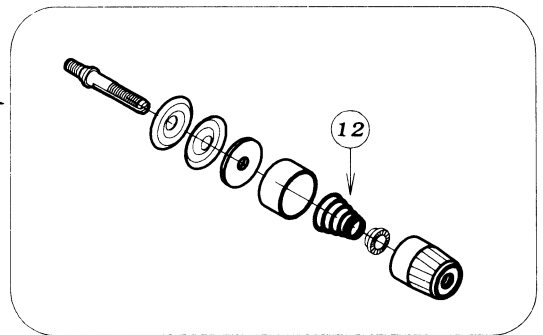
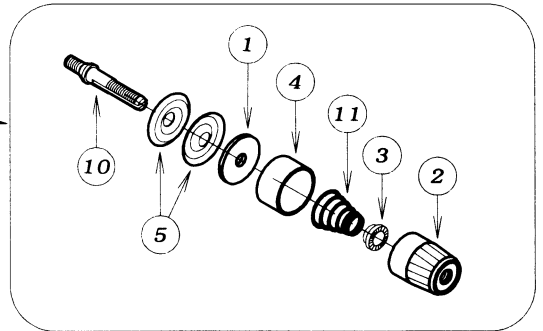
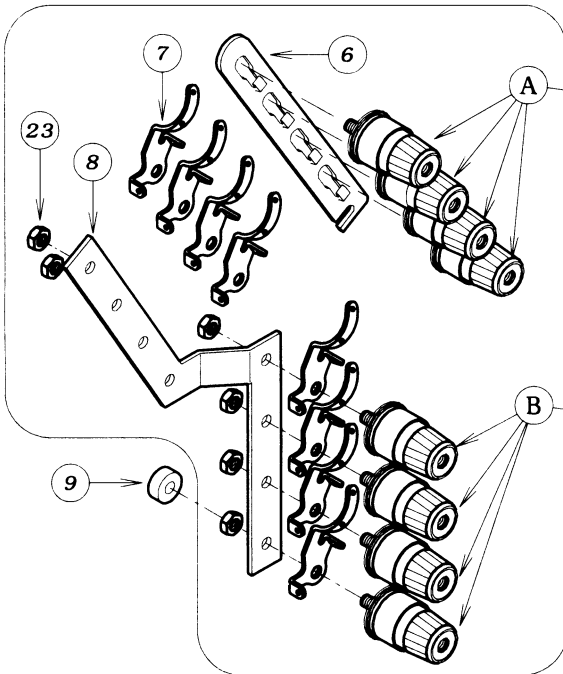
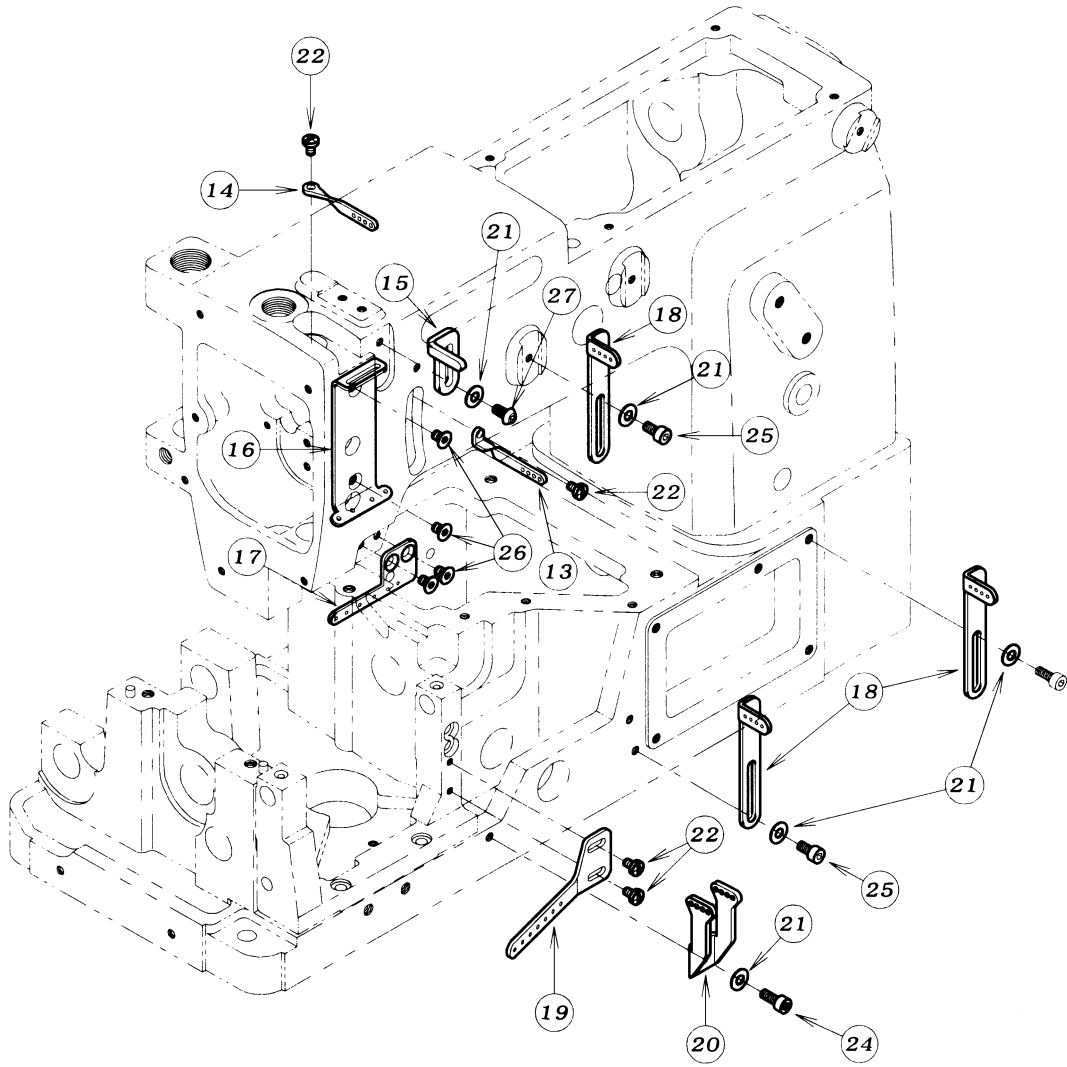


2. FRAME ASSEMBLY



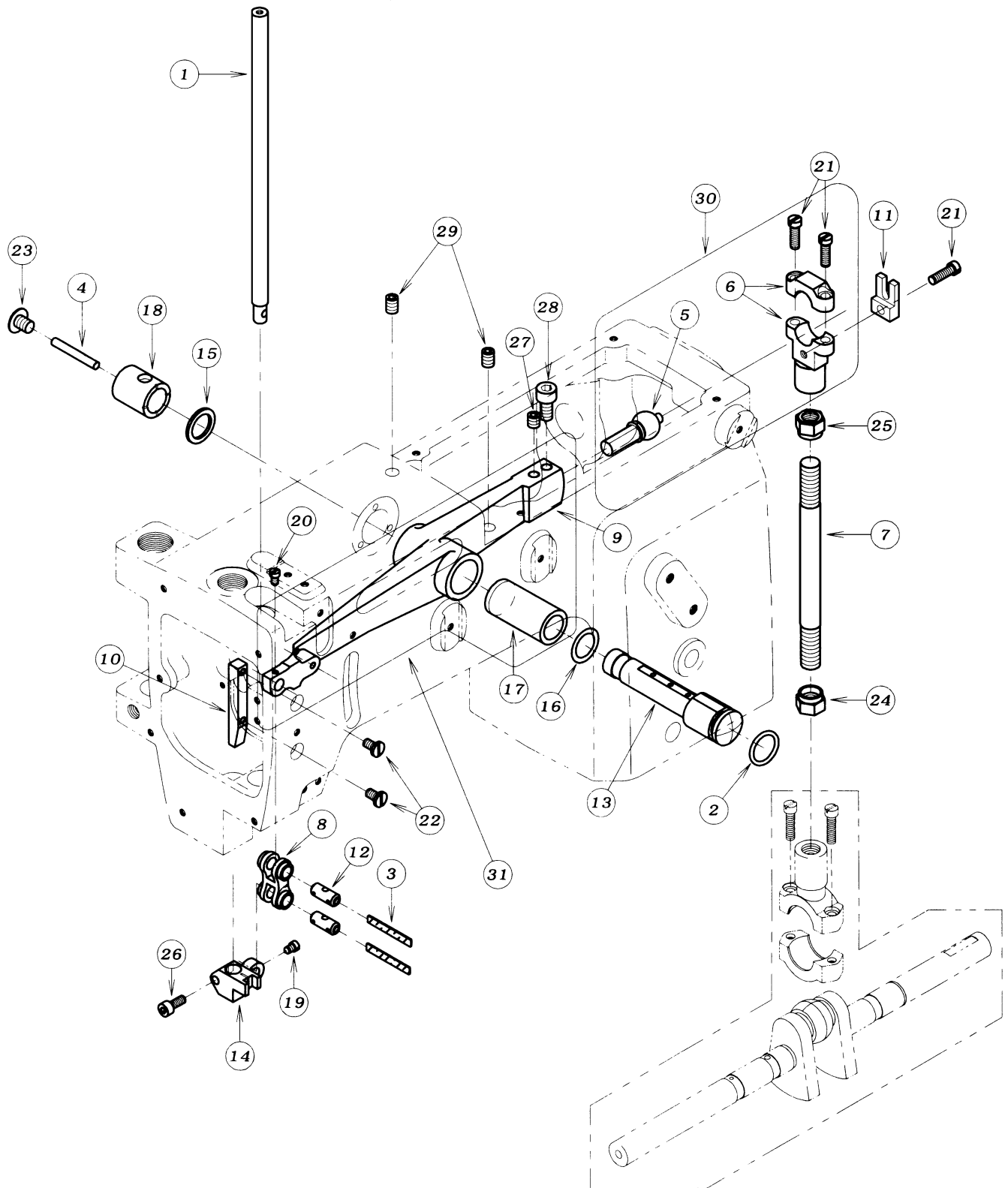
REF.NO.	PART NO.	DESCRIPTION	Q'TY
02-01	02-112	WASHER	2
02-02	14-050	NEEDLE PLATE SUPPORT BRACKET	1
02-03	14-038	NEEDLE PLATE SUPPORT BRACKET	1
02-04	21-137	FRONT COVER	1
02-05	21-897	COVER	1
02-06	23-137	GASKET	1
02-07	23-229	GASKET	1
02-08	24-053	TYPE PLATE	1
02-09	26-712	WASHER	1~2
02-10	27-042	CLOTH PLATE	1
02-11	27-043	FRONT PLATE	1
02-12	27-044	SIDE COVER	1
02-13	27-045	CLOTH PLATE	1
02-14	27-046	CLOTH PLATE	1
02-15	27-047	COVER	1
02-16	31-438	FILTER	1
02-17	71-255	PIN	2
02-18	75-455	WASHER	3
02-19	79-521	PLATE SPRING(A)	1
02-20	79-522	SPRING	1
02-21	84-364	SCREW	2
02-22	84-761	SCREW	2
02-23	84-763	SCREW	2
02-24	84-861	SCREW	1
02-25	84-862	SCREW	2~3
02-26	85-181	SCREW	2~4
02-27	87-092	BOLT	3
02-28	87-098	BOLT	2
02-29	87-113	BOLT	5
02-30	87-123	BOLT	2
02-31	05-061	SCREW	5
02-32	87-280	SCREW	1
02-33	87-285	BOLT	1
02-34	88-146	NUT	1~2
02-35	88-166	NUT	2
02-36	93-701	PIN	2
02-37	20-0420	UPPER COVER ASS'Y	1
02-38	20-0450	UPPER COVER ASS'Y	1
02-39	20-0460	UPPER COVER ASS'Y	1
02-40	20-0470	UPPER COVER ASS'Y	1
02-41	23-512	CUSHION RUBBER	2
02-42	75-468	WASHER	3
02-43	79-552	SPRING	1
02-44	87-287	BOLT	2
02-45			
02-46	87-310	SCREW	1
02-47	87-316	SCREW	1
02-48			
02-49	87-177	BOLT	1

3. THREAD TENSION MECHANISM



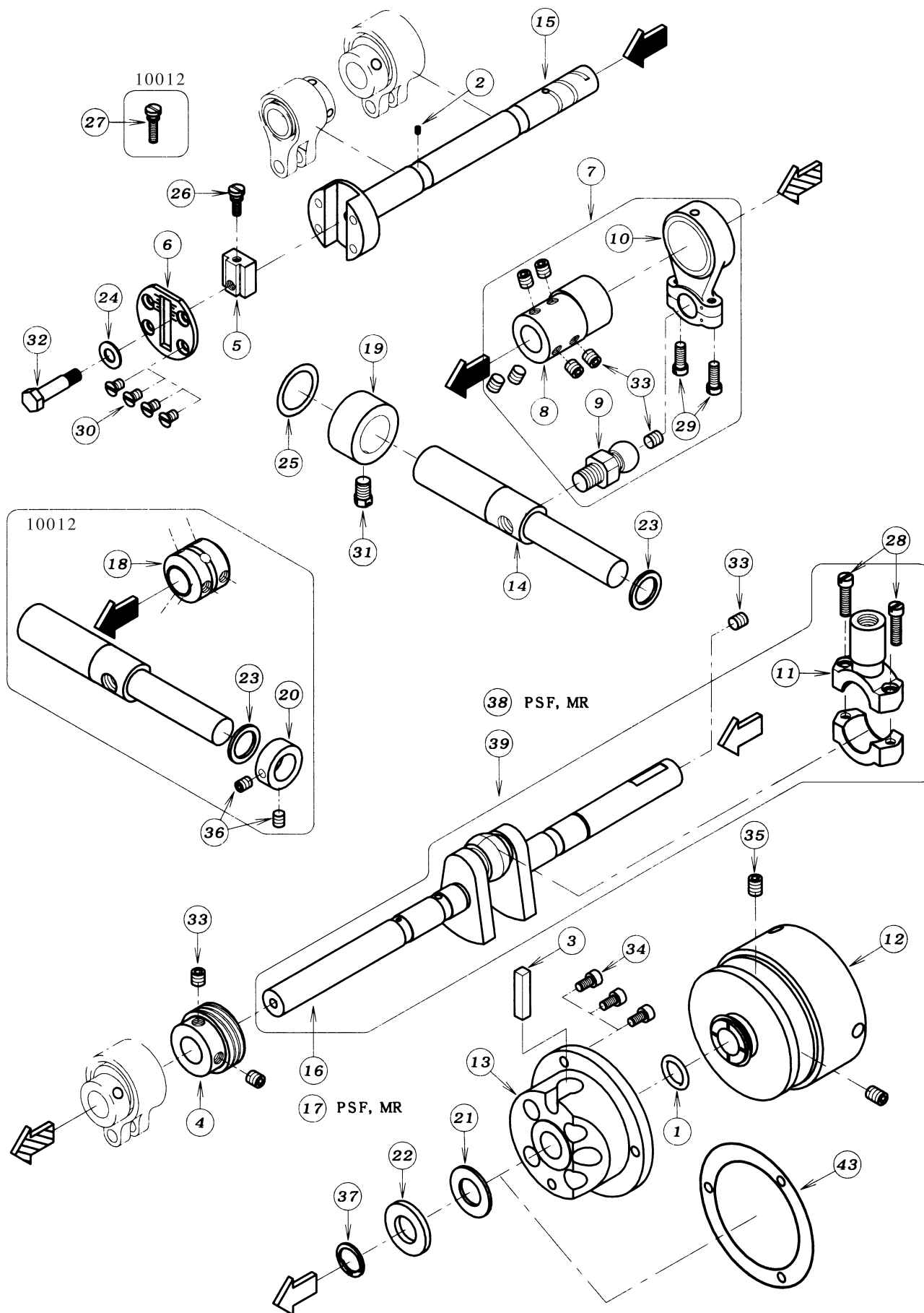
REF.NO.	PART NO.	DESCRIPTION	Q' TY
04-01	45-107	THRED EYELET	2
04-02	45-127	THRED EYELET	1
04-03	45-432	THRED EYELET	1
04-04	45-433	THRED EYELET	1
04-05	45-434	THRED EYELET	1
04-06	45-435	THRED TAKE-UP PLATE	1
04-07	45-437	THRED EYELET	1
04-08	47-120	THRED EYELET	1
04-09	47-408	THRED EYELET	1
04-10	47-409	THRED EYELET	2
04-11	47-413	THRED EYELET	1
04-12	75-455	WASHER	4
04-13	87-272	SCREW	1
04-14	84-361	SCREW	2
04-15	87-113	BOLT	1
04-16	87-177	BOLT	6
04-17	87-293	SCREW	4
04-18	84-374	SCREW	2

6. NEEDLE BAR & LEVER MECHANISM



REF.NO.	PART NO.	DESCRIPTION	Q' TY
06-01	11-400	NEEDLE BAR	1
06-02	23-195	O-RING	1
06-03	23-341	FELT	2
06-04	23-383	FELT	1
06-05	61-711	CONNECTING ROD BALL	1
06-06	63-713	BALL JOINT	1
06-07	65-302	CONNECTING BAR	1
06-08	66-111	CONNECTING LINK	1
06-09	69-105	NEEDLE LEVER E	1
06-10	69-117	NEEDLE BAR GUIDE	1
06-11	69-120	ECCENTRIC GUIDE	1
06-12	71-432	PIN	2
06-13	71-933	NEEDLE LEVER STUD	1
06-14	73-121	NEEDLE BAR CLAMP	1
06-15	75-332	WASHER	1
06-16	75-674	WASHER	1
06-17	81-113	BUSHING	1
06-18	81-412	BUSHING	1
06-19	84-365	SCREW	1
06-20	84-366	SCREW	1
06-21	84-567	SCREW	3
06-22	84-574	SCREW	2
06-23	85-181	SCREW	1
06-24	86-741	NUT	1
06-25	86-742	NUT	1
06-26	87-113	SCREW	1
06-27	87-172	SCREW	1
06-28	87-225	SCREW	1
06-29	87-242	SCREW	2
06-30	60-3700	CONNECTING ROD ASS'Y	1
06-31	69-1050-2	NEEDLE LEVER (WITH BUSHING)	1

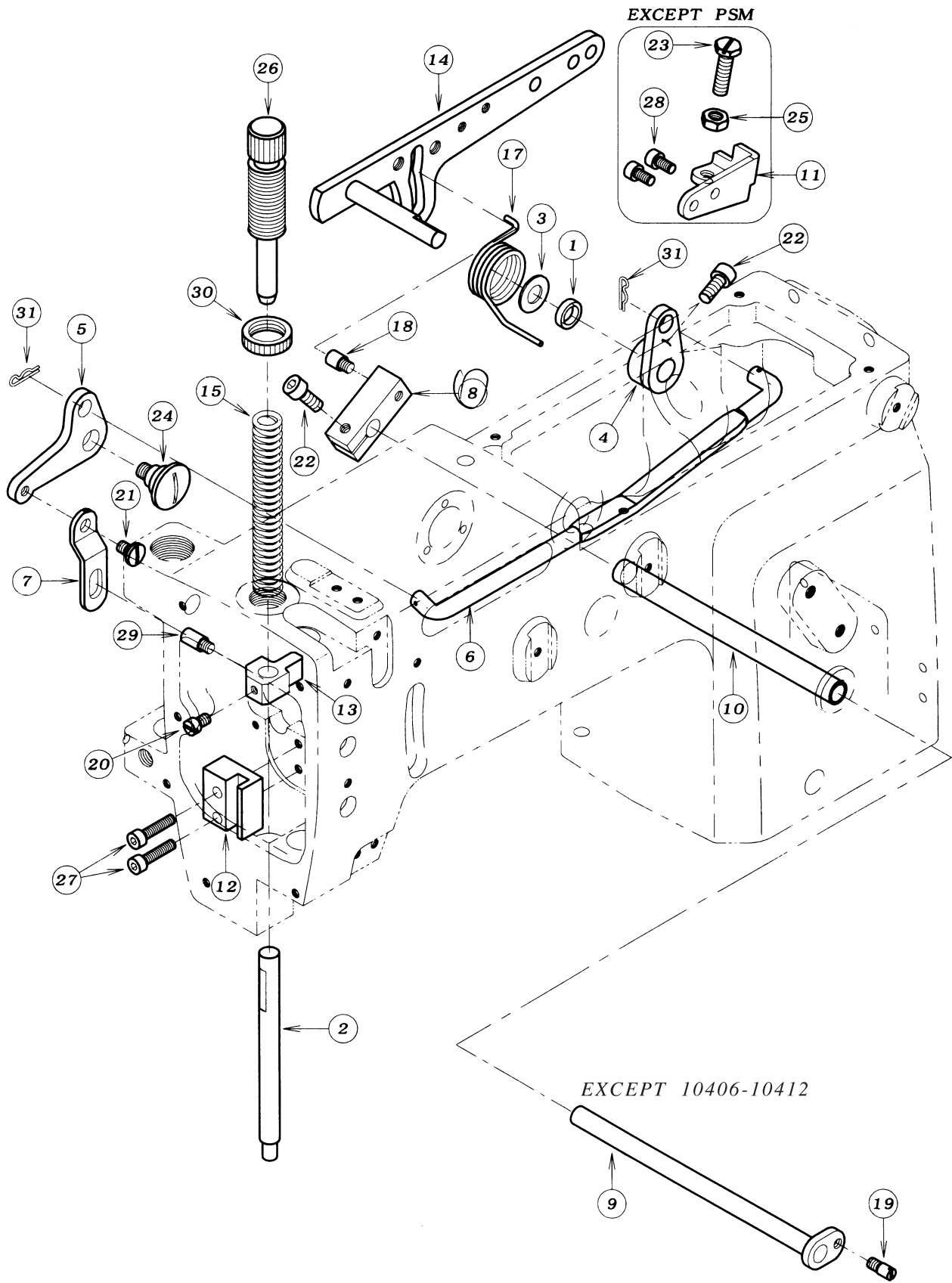
7. CRANKSHAFT MECHANISM



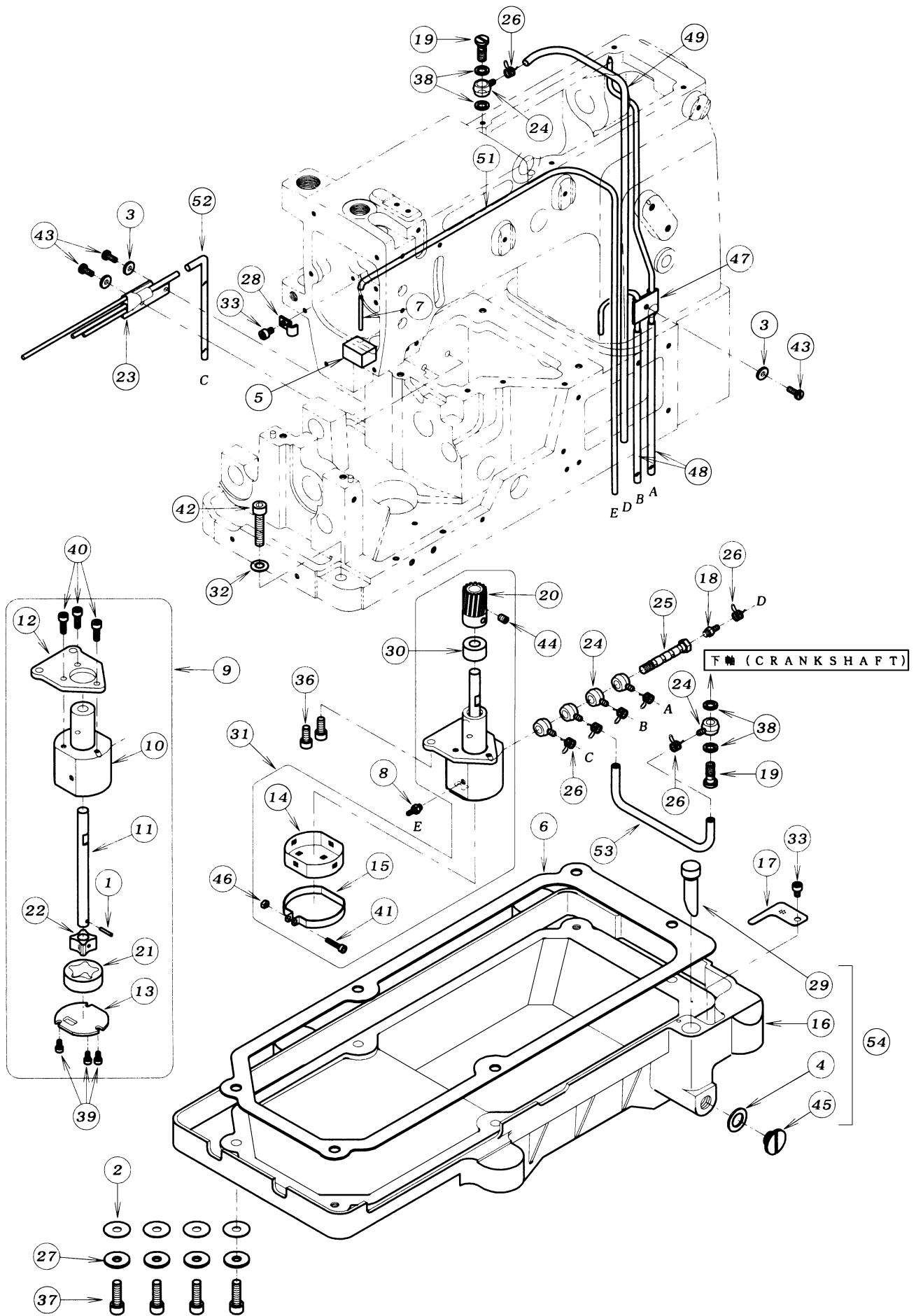
REF.NO.	PART NO.	DESCRIPTION	Q'TY
08-01	23-341	FELT	2
08-02	55-041	SINGLE FEED ROCKER ARM	1
08-03	55-141	FEED ROCKER	1
08-04	55-146	FEED DOG HOLDER	1
08-05	61-312	LOOPER AVOID ECCENTRIC	1
08-06	61-322	FEED ECCENTRIC	1
08-07	63-232	ECCECTRIC LINK	1
08-08	63-353	FEED ROCKER LINK	1
08-09	67-311	FEED ROCKER ARM	1
08-10	71-217	PIN	2
08-11	71-351	SHAFT	1
08-12	71-431	PIN	1
08-13	71-432	FEED ROCKER LINK PIN	1
08-14	71-531	SHAFT	1
08-15	71-642	FEED ROCKER ARM SHAFT	1
08-16	75-139	COLLAR	1
08-17	75-235	ROLLER	1
08-18	75-455	WASHER	1
08-19	75-675	WASHER	1
08-20	84-314	SCREW	1
08-21	84-364	SCREW	1
08-22	84-366	SCREW	1
08-23	84-569	SCREW	2
08-24	84-588	SCREW	1
08-25	87-113	BOLT	2
08-26	87-181	SCREW	2
08-27	87-245	BOLT	1
08-28	87-252	BOLT	1
08-29	87-254	SCREW	1
08-30	91-270	BEARING	1
08-31	91-406	BEARING	1
08-32	93-261	C-RING	1
08-33	93-406	C-RING	1
08-34	60-0800	ECCNTRIC LINK ASS'Y	1
08-35	60-0900	ECCNTRIC LINK ASS'Y	1
08-36	63-3530-2	FEED ROCKER LINK ASS'Y	1

REF.NO.	PART NO.	DESCRIPTION	Q'TY
09-01	04-106	LOOPER ROCKER	1
09-02	04-111	PLATE	1
09-03	19-409	LOOPER ROCKER	
09-04	19-408	LOOPER ROCKER	1
09-05	21-126	COVER	1
09-06	23-341	FELT	4
09-07			
09-08	47-220	FAKE-UP ROD	1
09-09	61-241	LOOPER AVOID ECCENTRIC	2
09-10	61-244	LOOPER AVOID ECCENTRIC	1
09-11	63-241	ECCENTRIC LINK	2
09-12	66-116	RETAINER CONNECTING LINK	1
09-13	67-141	LOOPER ROCKER LEVER	1
09-14	67-147	TAKE UP DRIVE LEVER B	1
09-15	67-235	RETAINER LEVER B	1
09-16	71-431	PIN	4
09-17	87-245	BOLT	1
09-18	71-626	LOOPER ROCKER SHAFT	1
09-19	71-911	SHAFT	1
09-20	71-913	LOOPER THROW-OUT ACTUATING SHAFT	1
09-21			
09-22	73-116	RETAINER BAR HOLDER	1
09-23	75-139	COLLAR	1
09-24	75-135	COLLAR	2
09-25	75-381	WASHER	2
09-26	75-527	SPRING WASHER	1
09-27	75-675	WASHER	3
09-28	79-161	SPRING	1
09-29	79-163	SPRING	1
09-30	79-164	SPRING	1
09-31	81-142	BUSHING	1
09-32	81-143	BUSHING	1
09-33	84-366	SCREW	4
09-34	87-224	BOLT	1
09-35	84-814	SCREW	1
09-36	87-173	BOLT	1
09-37	87-287	BOLT	1
09-38	87-181	SCREW	4
09-39	87-254	SCREW	4
09-40	91-401	BEARING	2
09-41	93-211	E-RING	1
09-42	93-401	SNAP RING	2
09-43	60-1390	ECCENTRIC LINK ASS'Y	*
09-44	60-1410	ECCENTRIC LINK ASS'Y	1
09-45	10-9010	LOOPER ROCKER ASS'Y	
09-46	10-9030	LOOPER ROCKER ASS'Y	1

10. PRESSER FOOT MECHANISM



11. LUBRICATION MECHANISM



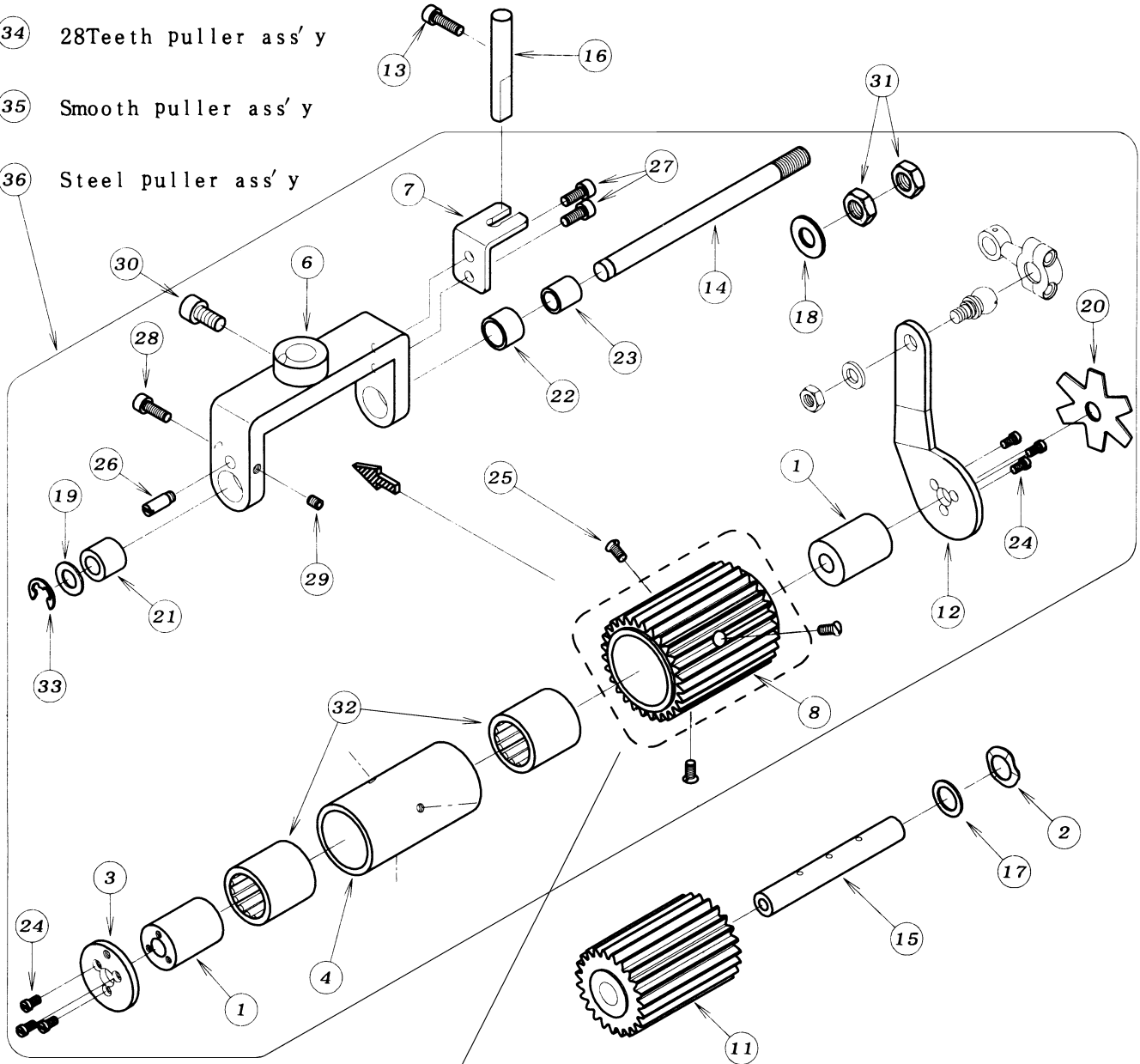
REF.NO.	PART NO.	DESCRIPTION	Q' TY
11-01	17-8010-G	PIN	1
11-02	23-120	GASKET	4
11-03	23-160	SEAL WASHER	3
11-04	23-304	SEAL	1
11-05	23-363	FELT	1
11-06	23-451	GASKET	1
11-07	35-257	PIPE A	1
11-08	31-364	JOINT	1
11-09	30-0120	PUMP ASS'Y	1
11-10	31-151	PUMP HOUSING	1
11-11	31-152	PUMP SHAFT	1
11-12	31-153	PLATE	1
11-13	31-154	PUMP REAR PLATE	1
11-14	31-156	PUMP MESH	1
11-15	31-157	CLAMP	1
11-16	31-270	OIL TANK	1
11-17	31-271	OIL FILTER SCREEN	1
11-18	31-314	JOINT	1
11-19	35-528	JOINT SCREW	2
11-20	31-702	PUMP GEAR	1
11-21	31-705	OUTER ROTER	1
11-22	31-707	INNER ROTER	1
11-23	35-122	PIPE	1
11-24	35-361	JOINT	6
11-25	35-362	JOINT SCREW	1
11-26	35-413	CLAMP	7
11-27	75-536	WASHER	4
11-28	39-133	PIPE SUPPOET C	1
11-29	39-216	OIL GAUGE	1
11-30	75-185	COLLAR	1
11-31	30-0121	PUMP ASS'Y	1
11-32	75-452	WASHER	2
11-33	87-092	BOLT	2
11-34			
11-35			
11-36	87-252	BOLT	2
11-37	87-173	BOLT	4
11-38	23-514	JOINT SRAL	4
11-39	87-123	BOLT	3
11-40	87-129	BOLT	3
11-41	87-140	BOLT	1
11-42	87-183	BOLT	2
11-43	84-363	SCREW	3
11-44	87-254	SCREW	1
11-45	87-311	SCREW	1
11-46	88-137	NUT	1
11-47	35-246	PIPING	1
11-48	35-317	TUBE	2
11-49	35-318	TUBE	1
11-50			
11-51	35-322	TUBE(Ø4XØ2, 600L)	1
11-52	35-315	TUBE(Ø6XØ3, 190L)	1
11-53	35-343	TUBE(Ø6XØ3, 80L)	1
11-54	31-2700-2	OIL TANK ASS'Y	1

12. REAR PULLER MECHANISM (10404)

34 28Teeth puller ass'y

35 Smooth puller ass'y

36 Steel puller ass'y

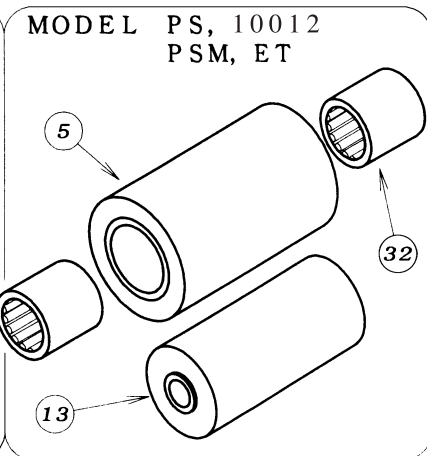
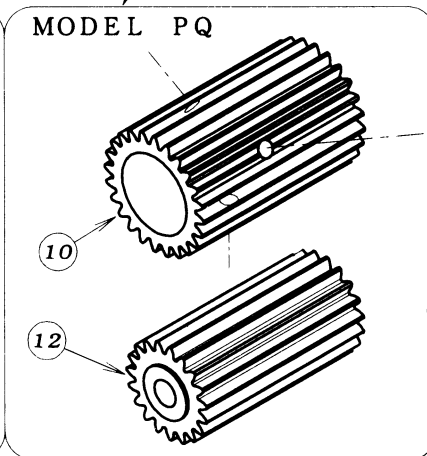
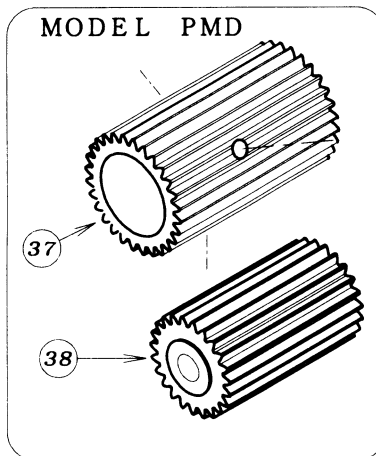
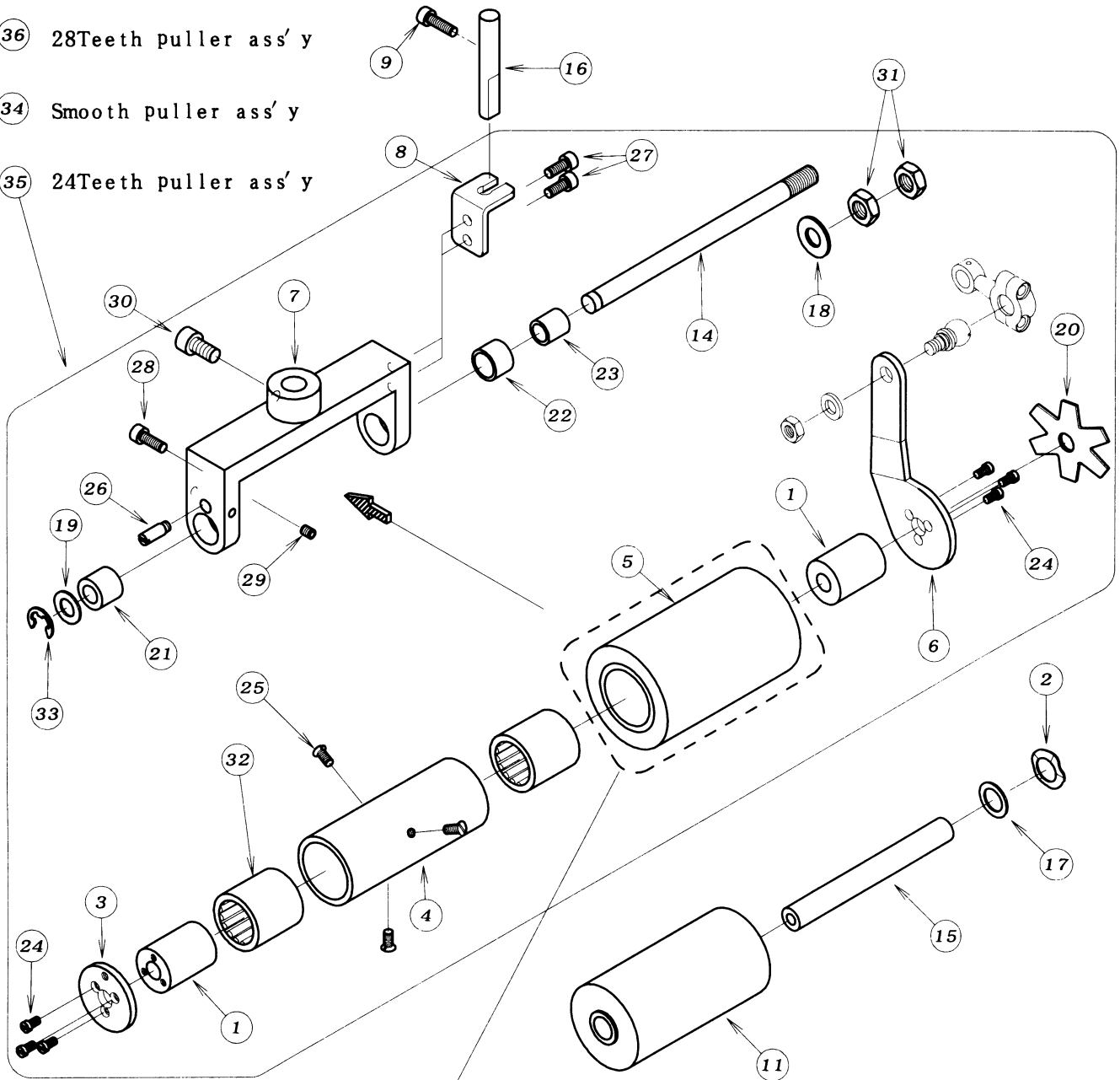


13. REAR PULLER MECHANISM (10406~10412)

36 28Teeth puller ass'y

34 Smooth puller ass'y

35 24Teeth puller ass'y

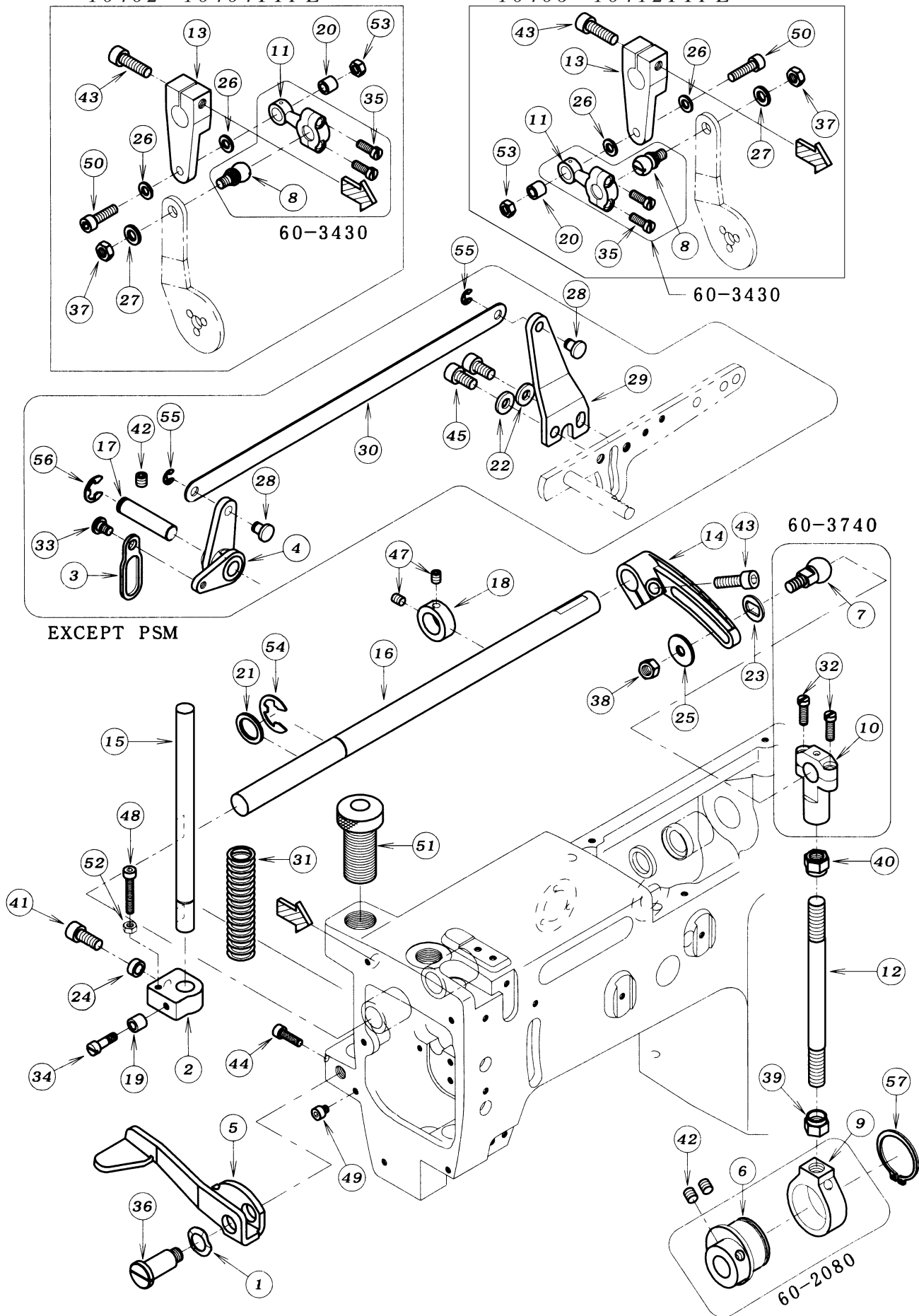


REF.NO.	PART NO.	DESCRIPTION	Q' TY
13-01	01-115	SLEEVE	2
13-02	02-116	WAVE WASHER	1
13-03	02-117	PLATE	1
13-04	02-124	HOUSING	1
13-05	02-138	REAR PULLER	1
13-06	02-263	CONNECTING PLATE	1
13-07	02-456	BRACKET	1
13-08	02-459	GUIDE	1
13-09	87-214	BOLT	1
13-10	02-492	BEAR PULLER	1
13-11	02-476	BEAR PULLER	1
13-12	02-493	BEAR PULLER	1
13-13	02-480	BEAR PULLER	1
13-14	71-445	SHAFT	1
13-15	71-652	REAR PULLER SHAFT(LOWER)	1
13-16	71-921	PULLER GUIDE PIN	1
13-17	75-380	WASHER	1
13-18	75-451	WASHER	1
13-19	75-519	WASHER	1
13-20	79-551	PULLER PLATE SPRING	1
13-21	81-321	BUSHING	1
13-22	81-322	BUSHING	1
13-23	81-323	BUSHING	1
13-24	84-162	SCREW	6
13-25	84-462	SCREW	3
13-26	84-573	SCREW	1
13-27	87-113	BOLT	2
13-28	87-129	BOLT	1
13-29	87-181	SCREW	1
13-30	87-225	BOLT	1
13-31	88-179	NUT	2
13-32	91-407	BEARING	2
13-33	93-221	E-RING	1
13-34	00-2401	SMOOTH PULLER ASS'Y	1
13-35	00-2422	24TEETH PULLER ASS'Y	1
13-36	00-2423	28TEETH PULLER ASS'Y	1
13-37	02-494	REAR PULLER	1
13-38	02-495	LOWER ROLLER GEAR(23 TEETH)	1

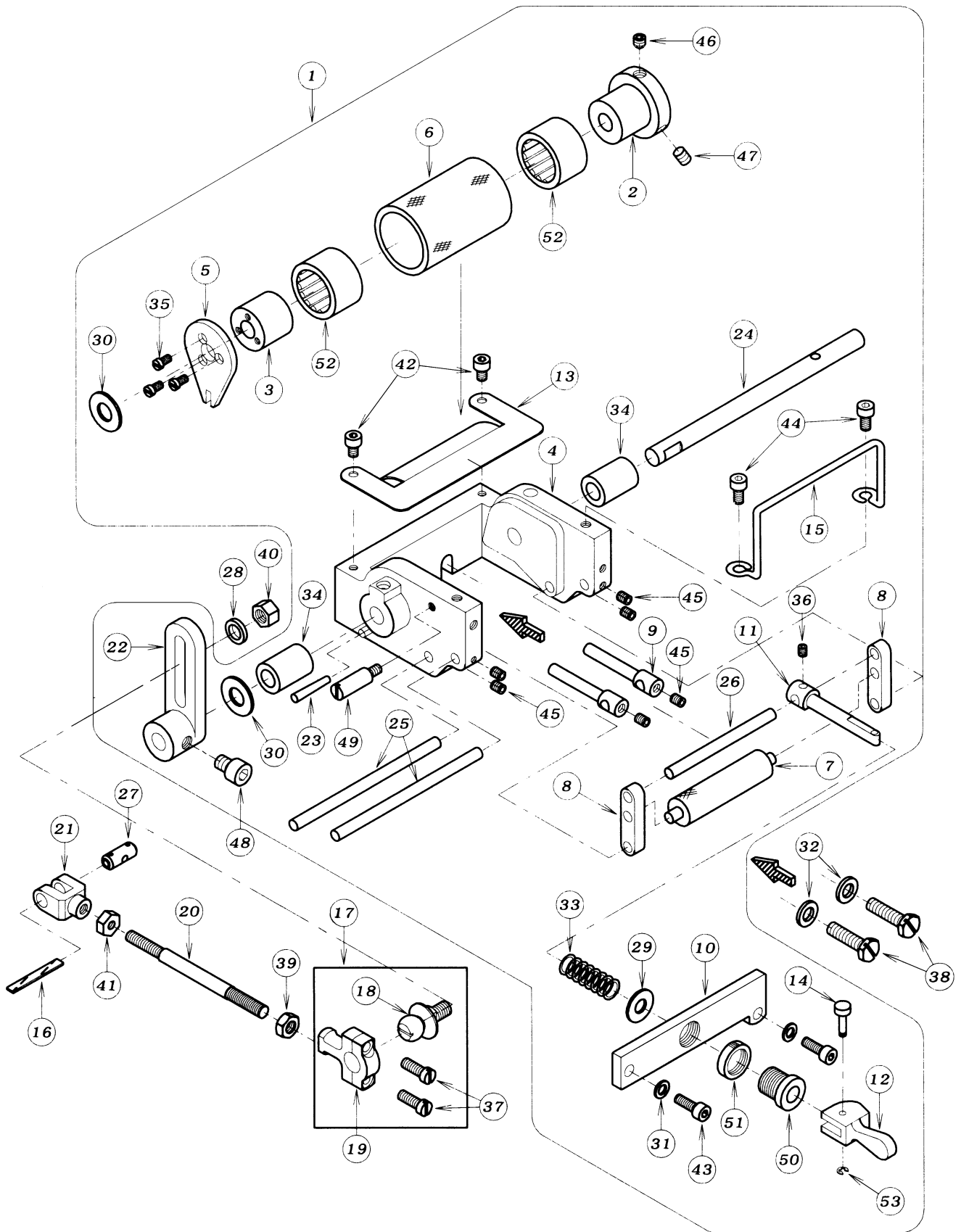
14. REAR PULLER MECHANISM

10402 - 10404 TYPE

10406 - 10412 TYPE



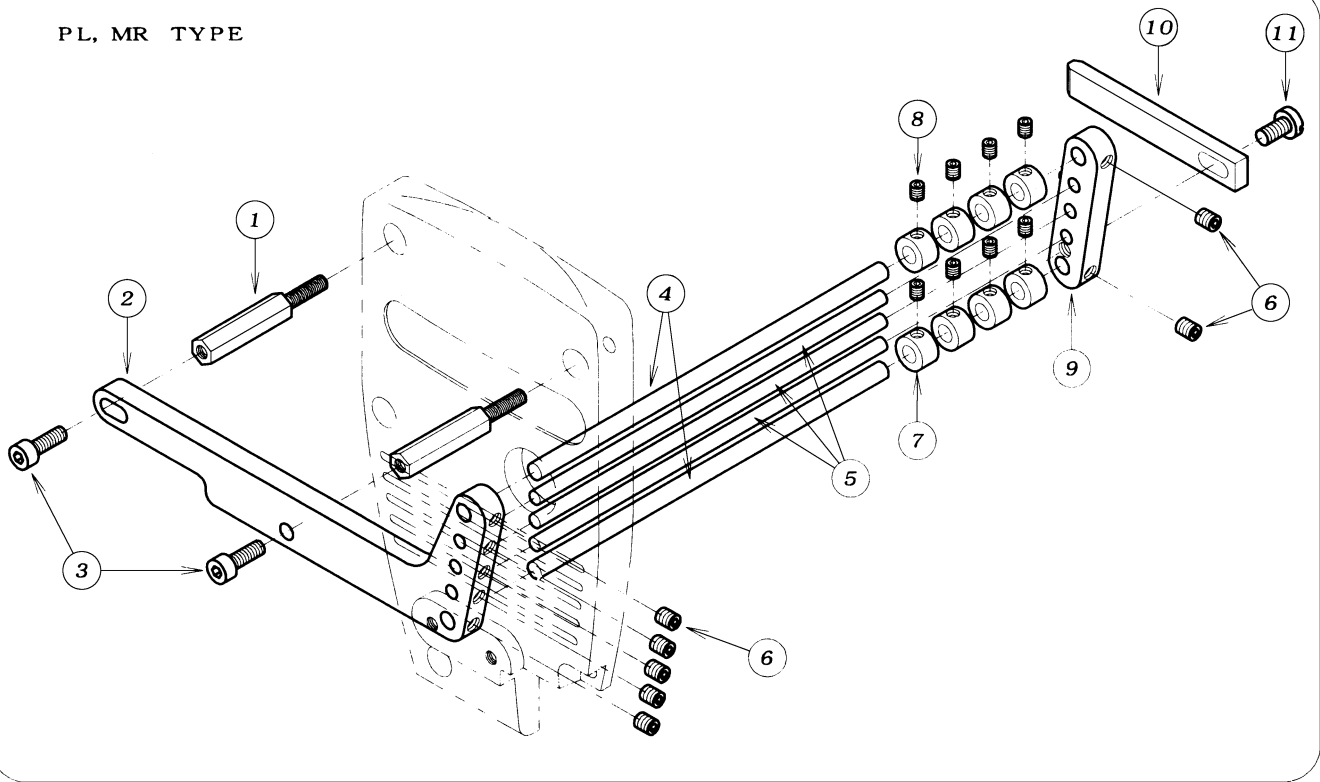
15. METERING DEVICE MECHANISM



16. TAPE GUIDE ASSEMBLY

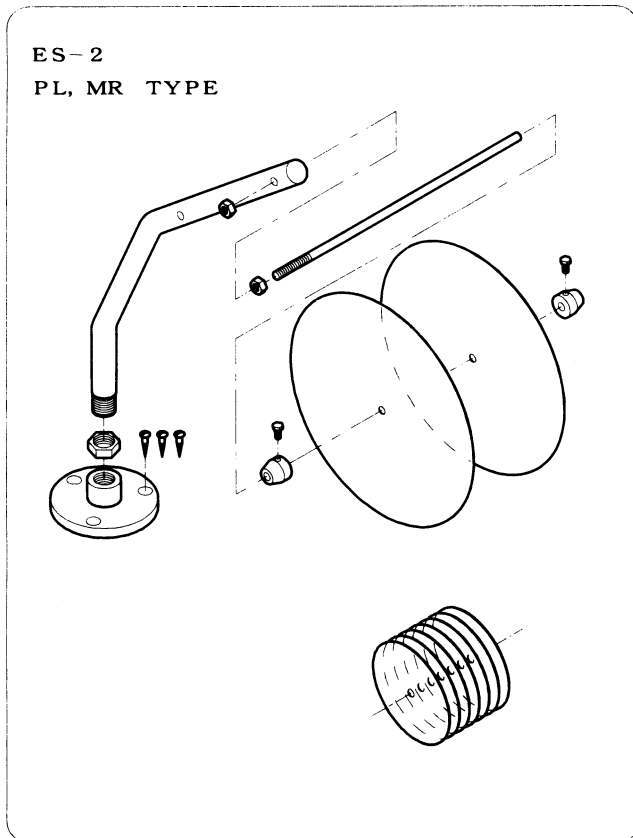
20 20-6450

PL, MR TYPE



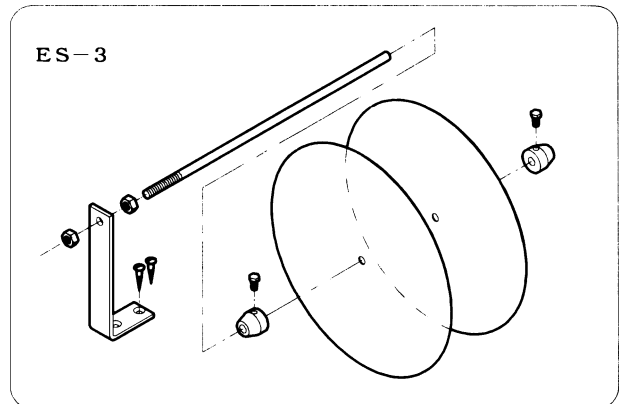
21 20-6020

ES-2
PL, MR TYPE



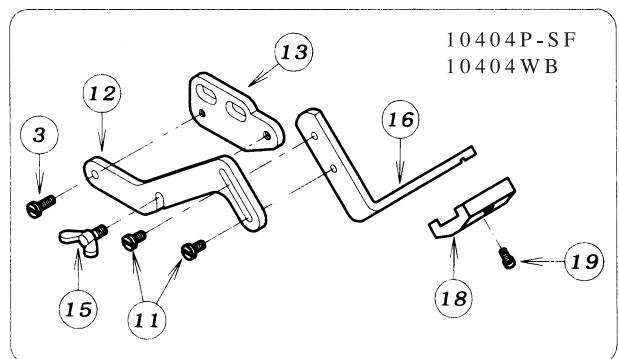
22 20-6030

ES-3



23 20-6400

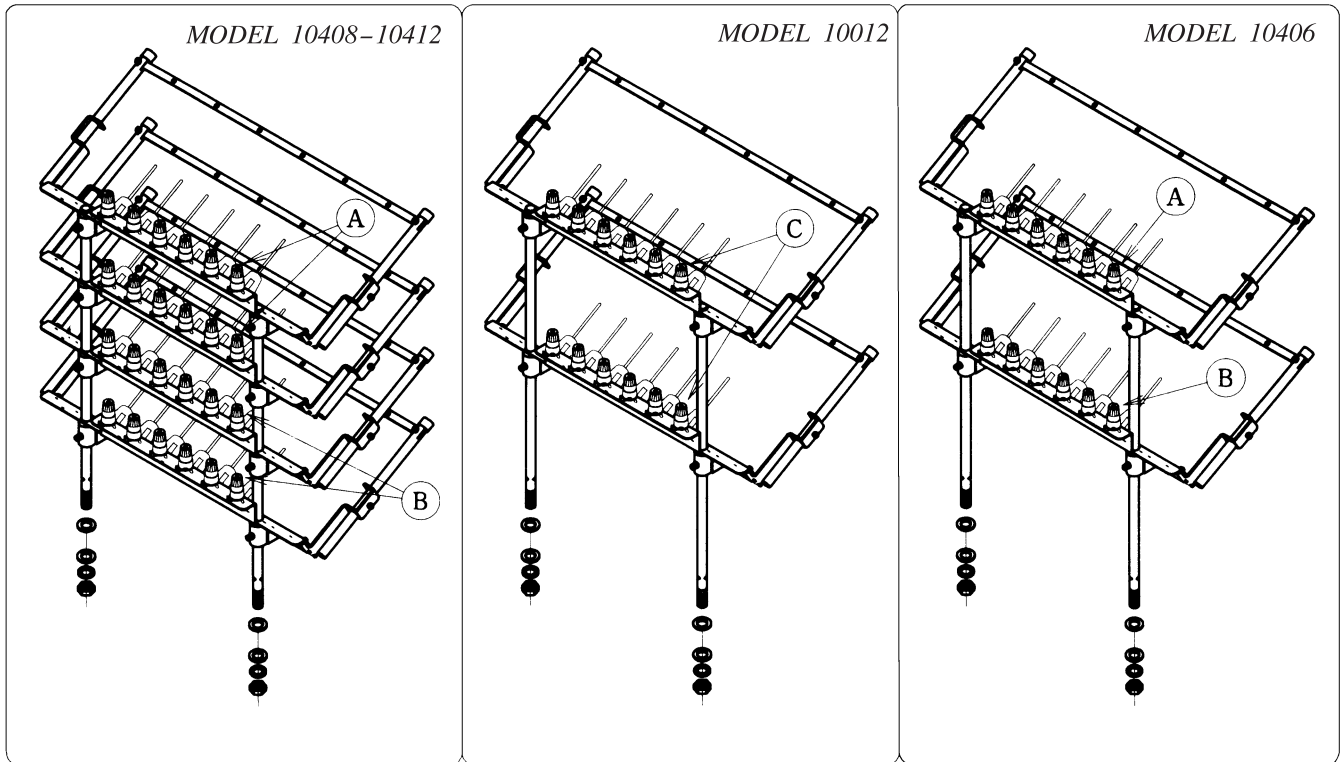
10404P-SF
10404WB



REF.NO.	PART NO.	DESCRIPTION	Q' TY
16-01	87-309	BRACKET	2
16-02	26-716	GUIDE BRACKET	1
16-03	87-129	SCREW	3
16-04	26-719	GUIDE SHAFT LARGE	2
16-05	26-720	GUIDE SHAFT SMALL	3
16-06	84-521	SCREW	7
16-07	75-097	COLLAR	8
16-08	84-314	SCREW	8
16-09	26-717	GUIDE FIXING BRACKET	1
16-10	26-718	GUIDE CLAMP	1
16-11	84-571	SCREW	3
16-12	26-732	MOUNTING SLIDE FOR HOLDER	1
16-13	26-731	MOUNTING BASE FOR HOLDER	1
16-14			
16-15	26-736	BOLT	1
16-16	26-733	MOUNTING BASE FOR HOLDER	1
16-17			
16-18	26-726	FIXING CLAMP	1
16-19	84-382	SCREW	1
16-20	20-6450	TAPE GUIDE ASS'Y	1
16-21	20-6020	TAPE STAND ASS'Y(ES-2)	1
16-22	20-6030	TAPE STAND ASS'Y(ES-3)	1
16-23	20-6400	MOUNTING BASE ASS'Y FOR HOLDER	1

REF.NO.	PART NO.	DESCRIPTION	Q' TY
17-01	42-718	THREAD STAND ASSEMBLY FOE 8	1
17-02	42-704	THREAD STAND ASSEMBLY FOE 4	1
17-03	21-045	TABLE	1
17-04	80-751	SCREW	4
17-05	31-163	CUSHION RUBBER	4
17-06	25-140	MACHINE MONUT BRACKET	2
17-07	21-0450-1	TABLE	1
17-08	23-121	CUSHION RUBBER	4
17-09	23-122	CUSHION RUBBER	4
17-10	75-535	WASHER	4

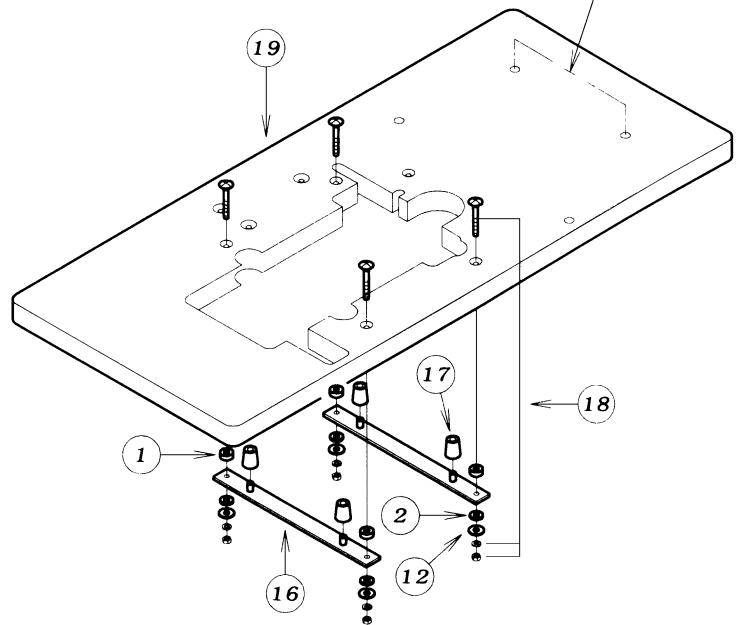
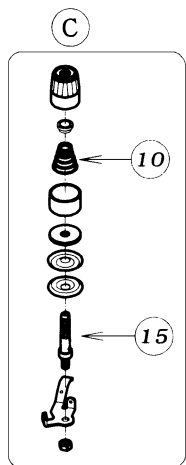
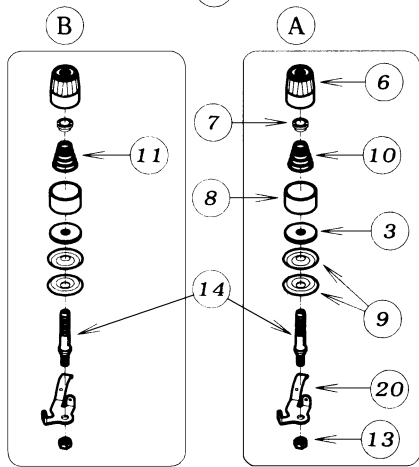
18. THREAD STAND AND TABLE (2)



21

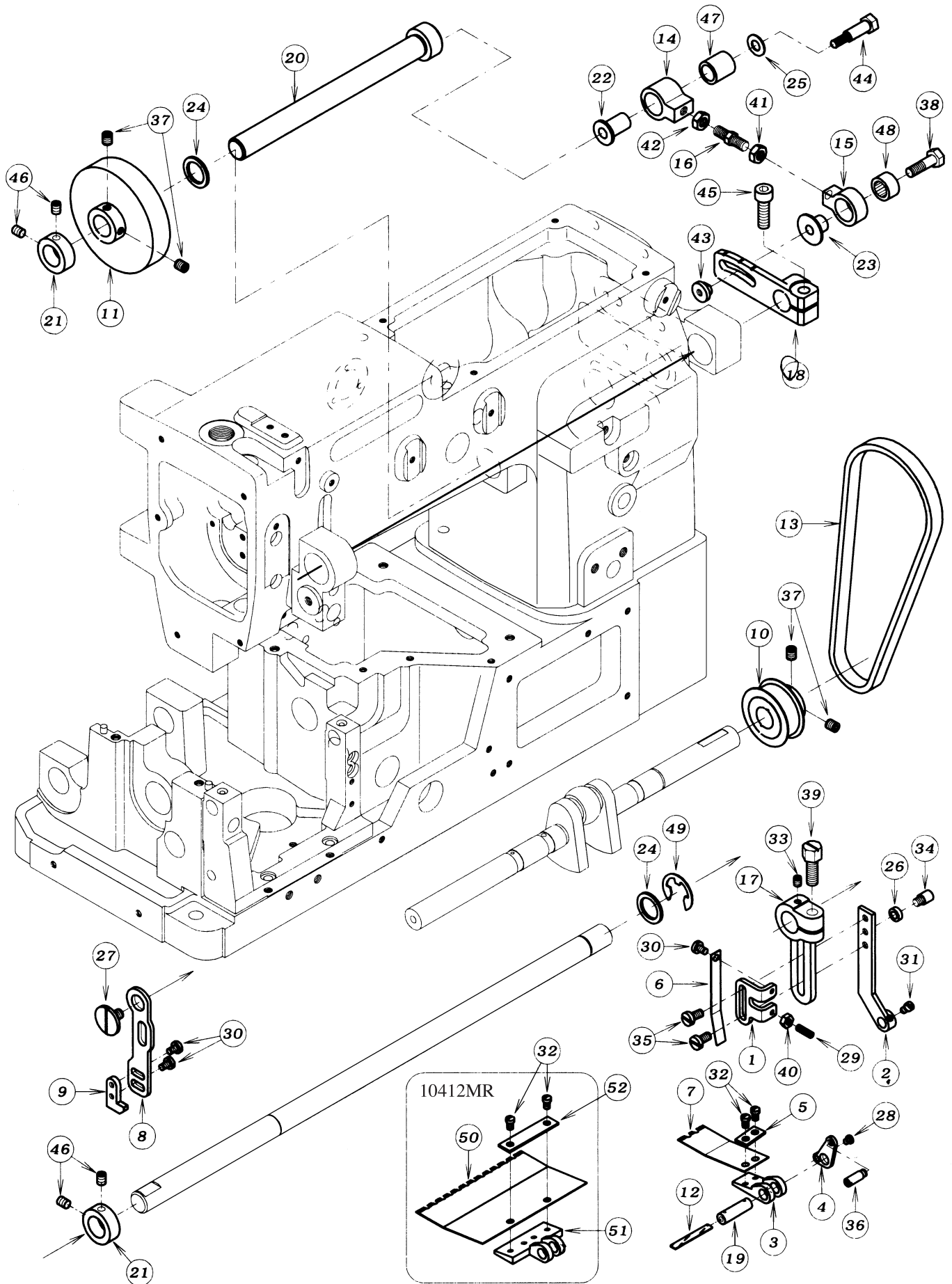
5

4



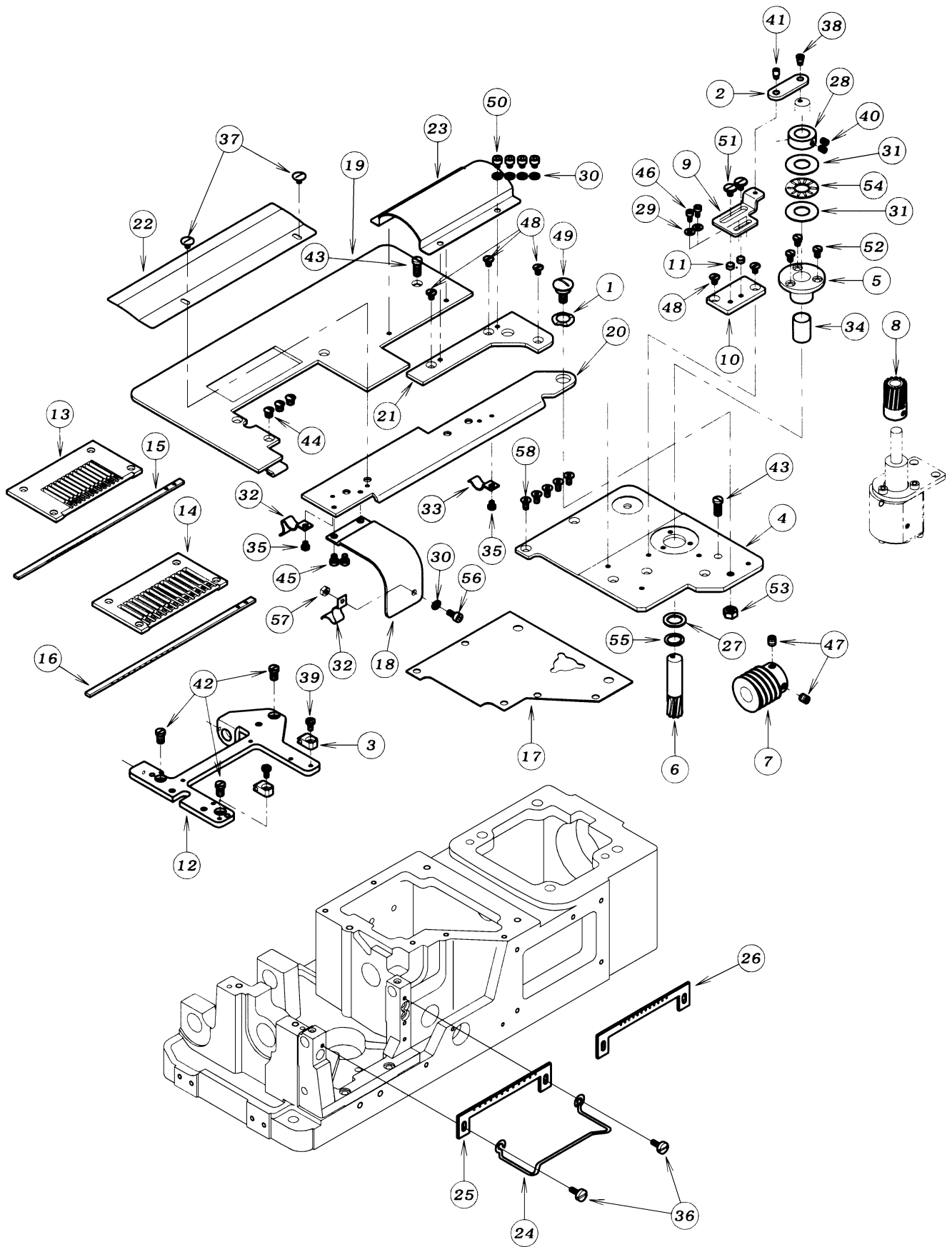
REF.NO.	PART NO.	DESCRIPTION	Q' TY
18-01	23-121	CUSHION RUBBER	4
18-02	23-122	CUSHION RUBBER	4
18-03	23-324	FELT	*
18-04	40-6502	THREAD STAND FOR MODEL 10406	1
18-05	40-6505	THREAD STAND FOR MODEL 10412	1
18-06	41-101	THREAD TENSION NUT	*
18-07	41-105	SPRING POST	*
18-08	41-107	SPRING CUP	*
18-09	41-110	TENSION DISC	*
18-10	41-701	SPRING(HEAVY)	*
18-11	41-702	SPRING(LIGHT)	*
18-12	75-535	WASHER	4
18-13	88-157	NUT	*
18-14	41-522	SCREW STUD	*
18-15	41-523	SCREW STUD FOR ELASTIC THREAD	12
18-16	25-140	MACHINE MOUNT BRACKET	2
18-17	31-163	CUSHION RUBBER	4
18-18	80-751	BOLT	4
18-19	21-042	TABLE	1
18-20	41-524	THREAD EYELET	*
18-21	40-6501	THREAD STAND FOR MODEL 10412	*

21. MODEL MR EXCLUSIVE PARTS (2)

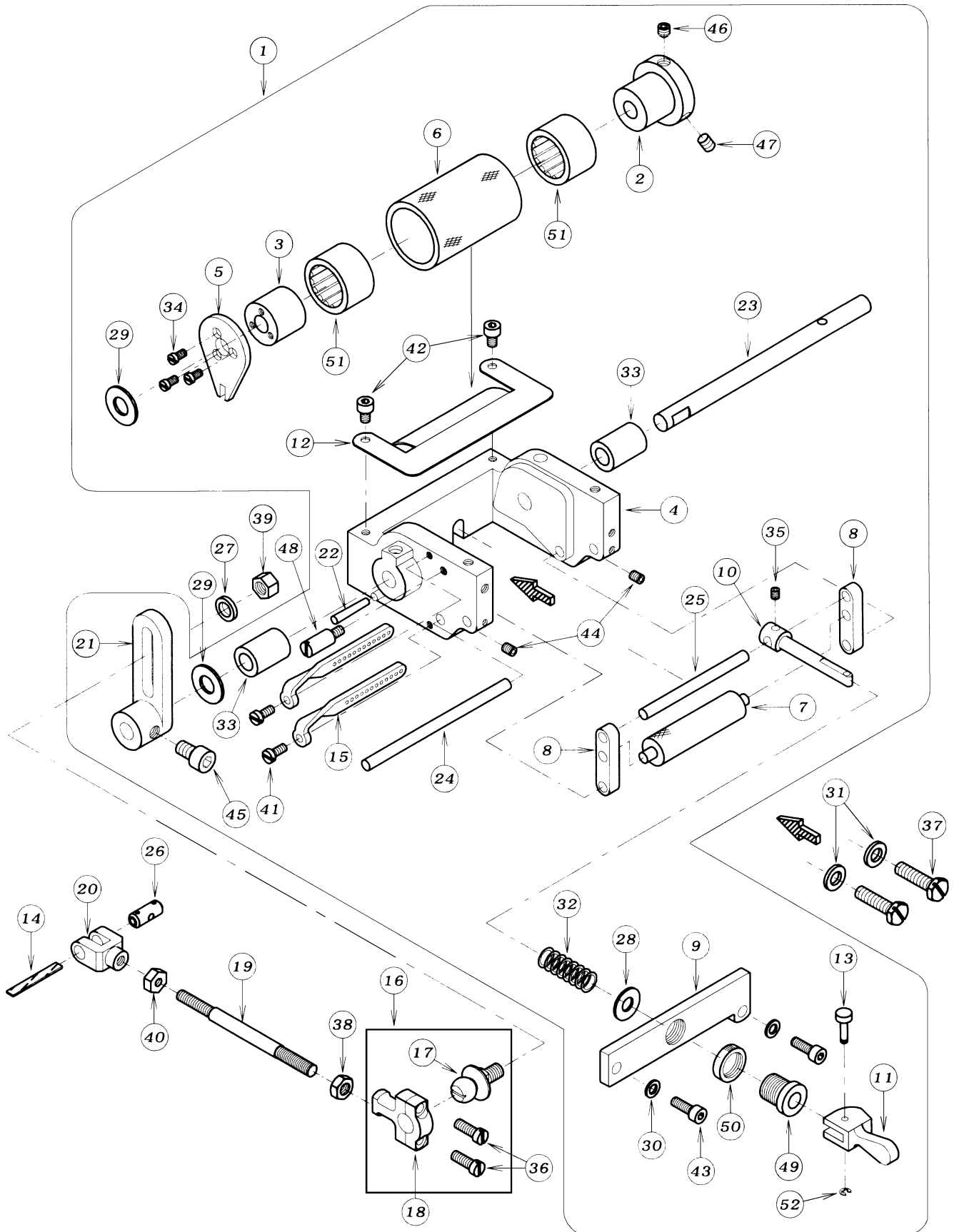


REF.NO.	PART NO.	DESCRIPTION	Q'TY
21-01	06-406	PLATE	1
21-02	06-408	LEVER	1
21-03	06-409	BRACKET	1
21-04	06-410	PLATE	1
21-05	06-411	PLATE	1
21-06	06-412	FLAT SPRING	1
21-07	06-431	RUFFLER BLADE	1
21-08	06-438	PLATE	1
21-09	06-439	PLATE	1
21-10	06-471	TIMING PULLEY	1
21-11	06-472	TIMING PULLEY	1
21-12	23-341	FELT	1
21-13	58-410	TIMING BELT	1
21-14	63-409	BRACKET	1
21-15	63-410	BRACKET	1
21-16	65-402	CONNECTING BAR	1
21-17	67-410	LEVER	1
21-18	67-427	LEVER	1
21-19	71-434	SHAFT	1
21-20	71-762	SHAFT	1
21-21	75-112	COLLAR	2
21-22	75-235	ROLLER	1
21-23	75-244	LINK ROLLER	1
21-24	75-332	WASHER	2
21-25	75-452	WASHER	1
21-26	75-942	WASHER	1
21-27	84-103	SCREW	1
21-28	84-163	SCREW	1
21-29	84-313	SCREW	1
21-30	84-361	SCREW	3
21-31	84-365	SCREW	1
21-32	84-379	SCREW	2
21-33	84-521	SCREW	1
21-34	84-561	SCREW	1
21-35	84-571	SCREW	2
21-36	84-573	SCREW	1
21-37	84-718	SCREW	4
21-38	84-831	SCREW	1
21-39	85-210	BOLT	1
21-40	86-211	NUT	1
21-41	86-411	NUT	1
21-42	86-412	NUT	1
21-43	86-481	NUT	1
21-44	87-019	SCREW	1
21-45	87-173	BOLT	1
21-46	87-254	SCREW	4
21-47	91-270	BEARING	1
21-48	91-409	BEARING	1
21-49	93-203	E-RING	1
21-50	06-415	RUFFLER BLADE	1
21-51	06-416	BRACKET	1
21-52	06-418	PLATE	1

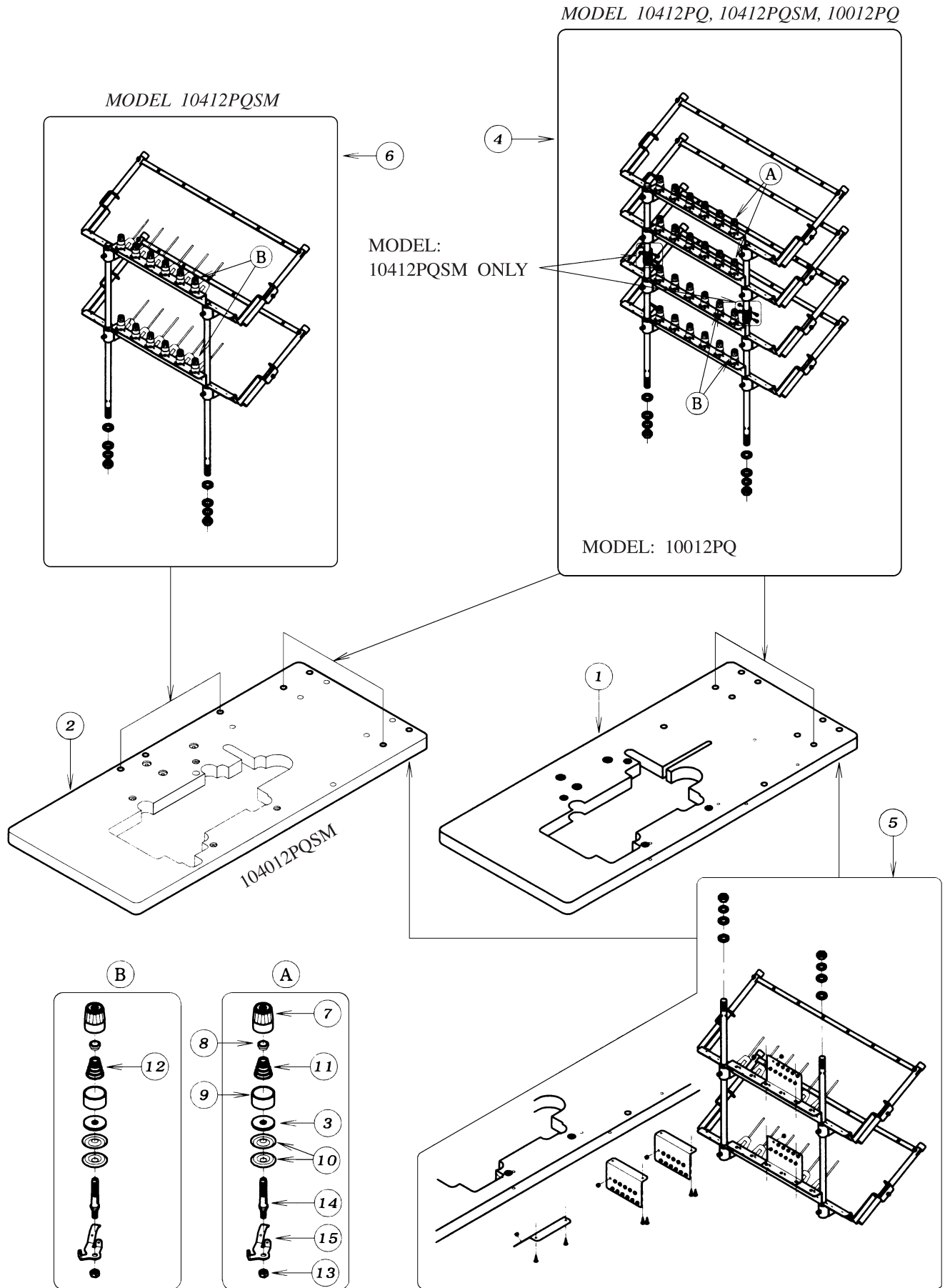
23. MODEL PQ EXCLUSIVE PARTS (1)



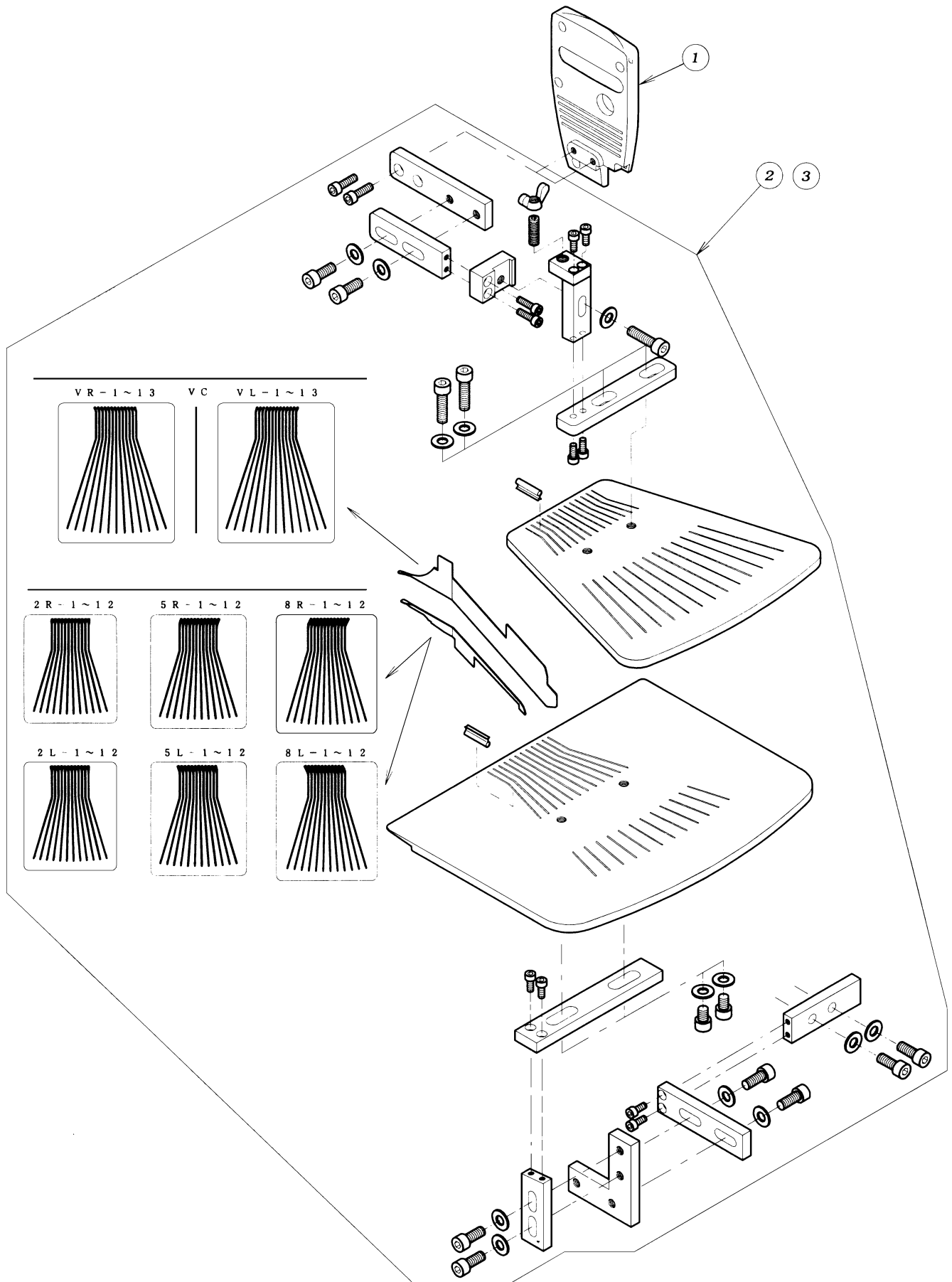
24. MODEL PQ EXCLUSIVE PARTS (2)



25. MODEL PQ EXCLUSIVE PARTS (3)

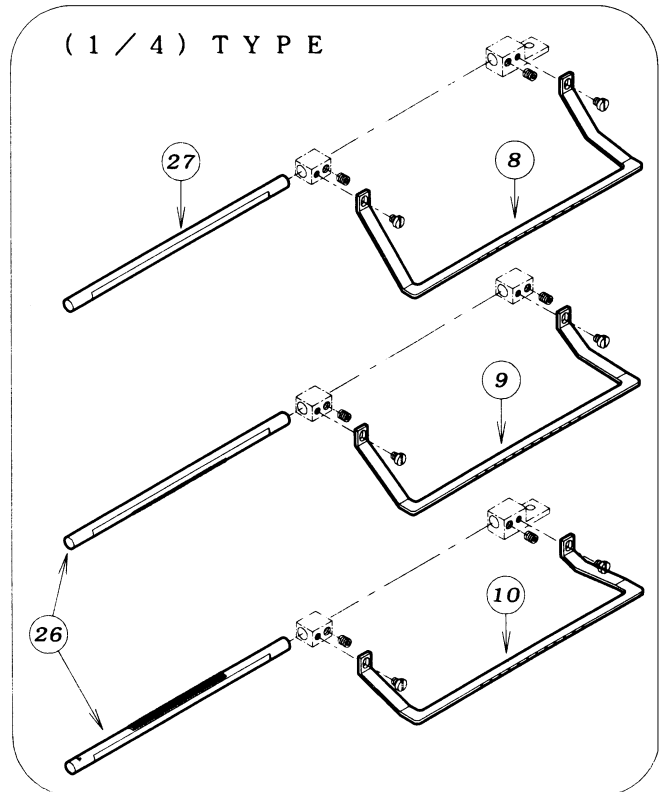
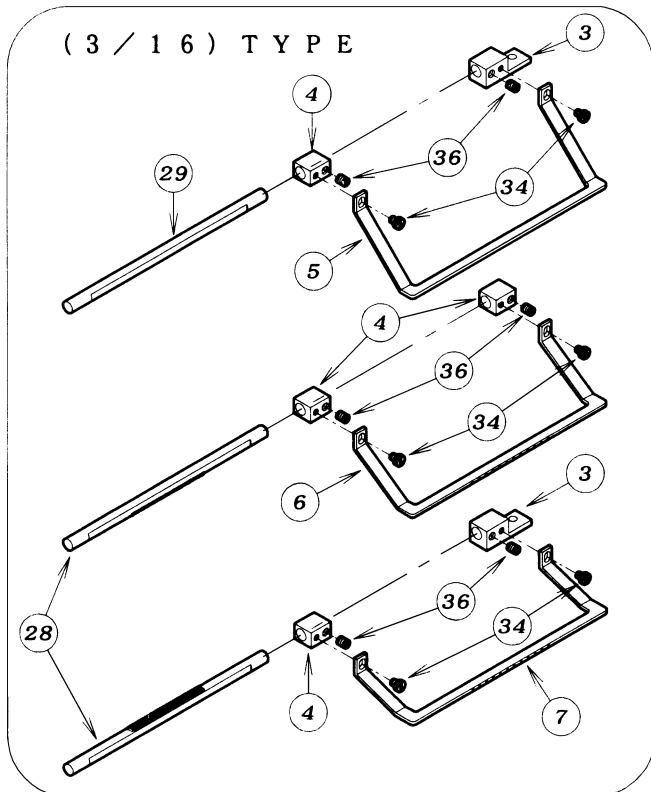
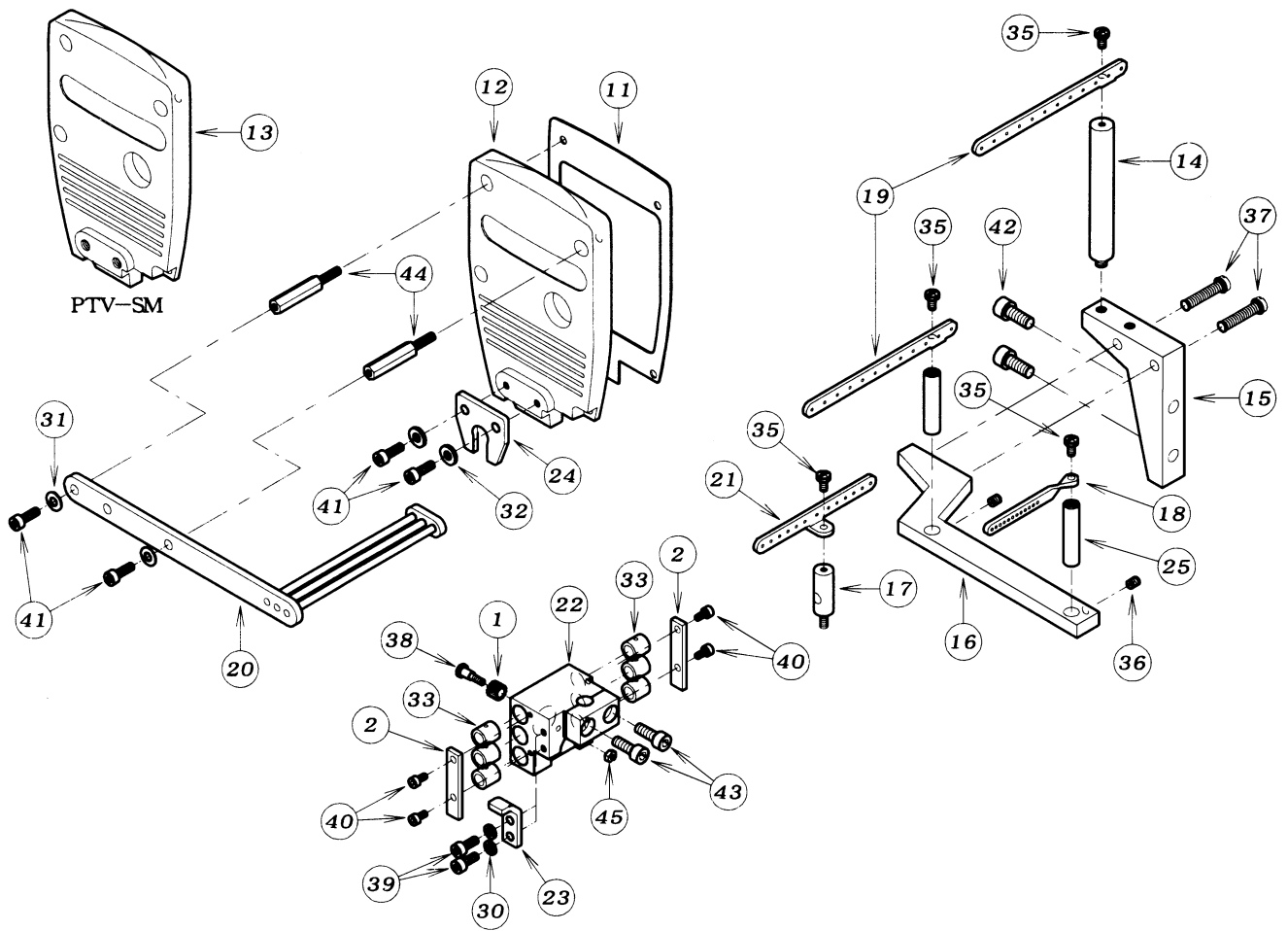


26. MODEL PTV EXCLUSIVE PARTS



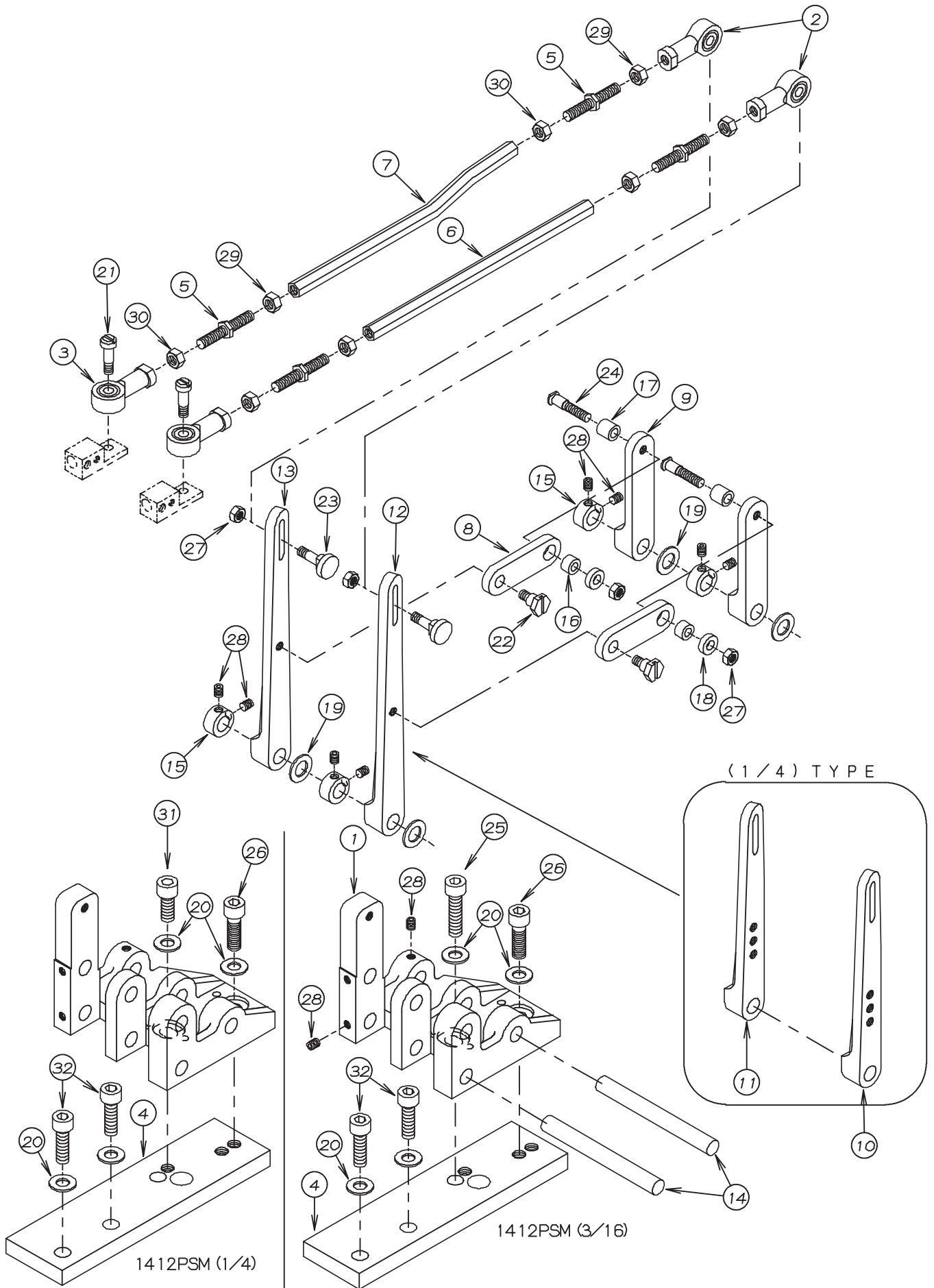
REF.NO.	PART NO.	DESCRIPTION	Q' TY
26-01	27-020	HEAD COVER	1
26-02	97-4150-0	HOLDER ASS'Y(3/16)	1
26-03	97-4151-0	HOLDER ASS'Y(1/4)	1

27. MODEL PSM EXCLUSIVE PARTS (1)



REF.NO.	PART NO.	DESCRIPTION	Q'TY
28-01	04-008	PIN	1
28-02	*	CAM1~13	1
28-03	04-408	WORM GEAR	1
28-04	04-409	WORM WHEEL	1
28-05	04-468	SPACE COLLAR	1
28-06	21-402	PULLEY COVER	1
28-07	21-412	HOUSING COVER	1
28-08	21-488	CAM COVER	1
28-09	21-489	PLATE	1
28-10	23-160	SEAL WASHER	2
28-11	23-189	O-RING	3
28-12	23-304	SEAL	1
28-13	23-384	FELT	1
28-14	23-412	GASKET	1
28-15	23-567	FELT	3
28-16	35-122	PIPE	1
28-17	35-315	TUBE	1
28-18	39-139	PIPE SUPPORT	1
28-19	69-320	GEAR HOUSING	1
28-20	71-208	PIN	2
28-21	71-266	PIN	1
28-22	71-706	SHAFT	1
28-23	71-942	SHAFT	1
28-24	75-112	COLLAR	2
28-25	75-181	CAM COLLAR (A)	1
28-26	75-184	SPACE COLLAR	1
28-27	75-332	WASHER	2
28-28	75-455	WASHER	10
28-29	75-527	SPRING WASHER	2
28-30	75-552	WASHER	2
28-31	77-160	LEVER	1
28-32	77-412	CHAIN GUIDE	1
28-33	81-690	BUSHING	4
28-34	84-361	SCREW	1
28-35	84-363	SCREW	2
28-36	84-566	SCREW	6
28-37	84-579	SCREW	3
28-38	85-522	SCREW	3
28-39	87-113	BOLT	1
28-40	87-171	BOLT	1
28-41	87-172	SCREW	8~10
28-42	87-173	BOLT	2
28-43	87-181	SCREW	1
28-44	87-254	SCREW	4
28-45	87-311	SCREW	1
28-46	88-452	NUT	1

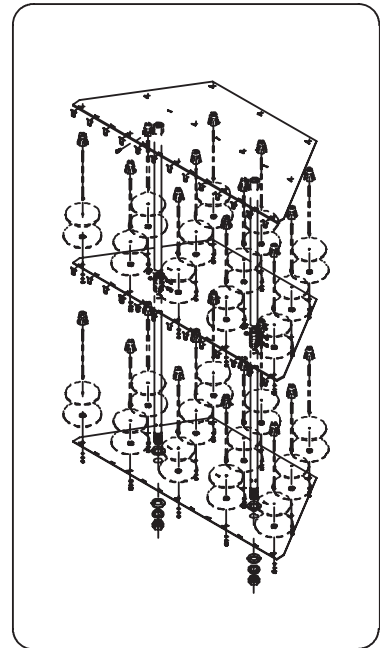
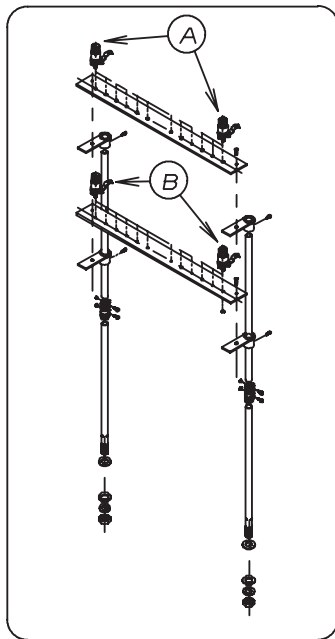
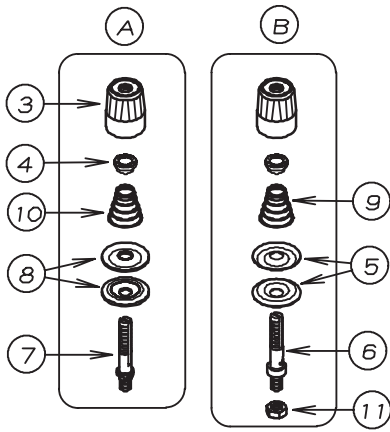
29. MODEL PSM EXCLUSIVE PARTS (3)



REF. NO.	PART NO.	DESCRIPTION	Q' TY
29-01	04-342	FLAME	1
29-02	04-348	ROD	2
29-03	04-349	ROD	2
29-04	04-411	PLATE	1
29-05	65-341	CONNECTING BAR	4
29-06	65-347	CONNECTING BAR	1
29-07	65-348	CONNECTING BAR	1
29-08	66-433	LINK	2
29-09	67-431	LEVER	2
29-10	67-434	LEVER	1
29-11	67-435	LEVER	1
29-12	67-436	LEVER	1
29-13	67-437	LEVER	1
29-14	71-529	SHAFT	2
29-15	75-152	COLLAR	4
29-16	75-257	LINK ROLLER	2
29-17	75-260	ROLLER	2
29-18	75-389	WASHER	2
29-19	75-519	WASHER	4
29-20	75-452	WASHER	4
29-21	84-587	SCREW	2
29-22	84-605	SCREW	2
29-23	84-606	SCREW	2
29-24	84-607	SCREW	2
29-25	87-188	BOLT	1
29-26	85-627	SCREW	1
29-27	86-311	NUT	4
29-28	87-181	SCREW	10
29-29	88-157	NUT	4
29-30	88-158	NUT	4
29-31	85-629	SCREW	1
29-32	87-173	BOLT	2

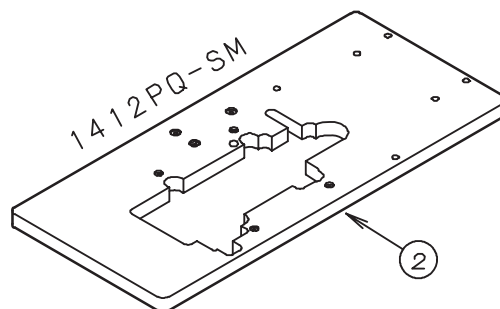
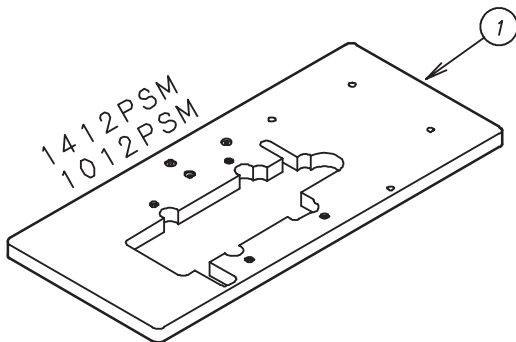
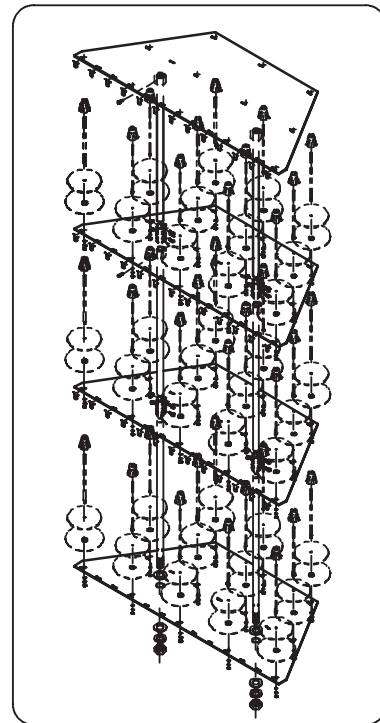
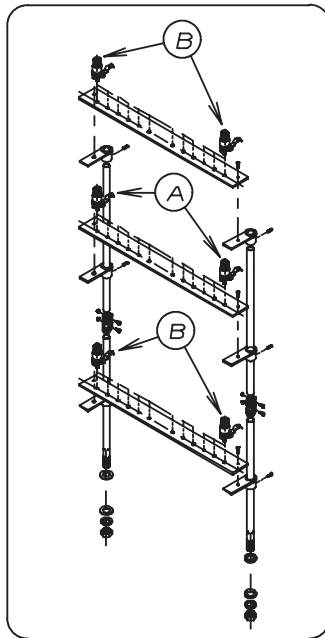
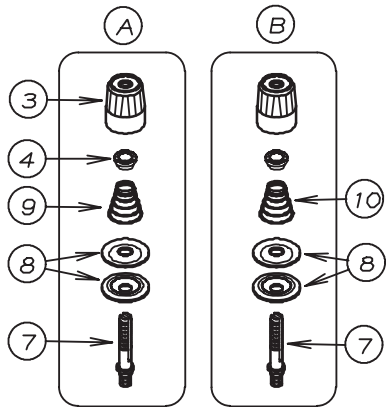
30. MODEL PSM EXCLUSIVE PARTS (4)

1012PSM



Only Available By Set No.

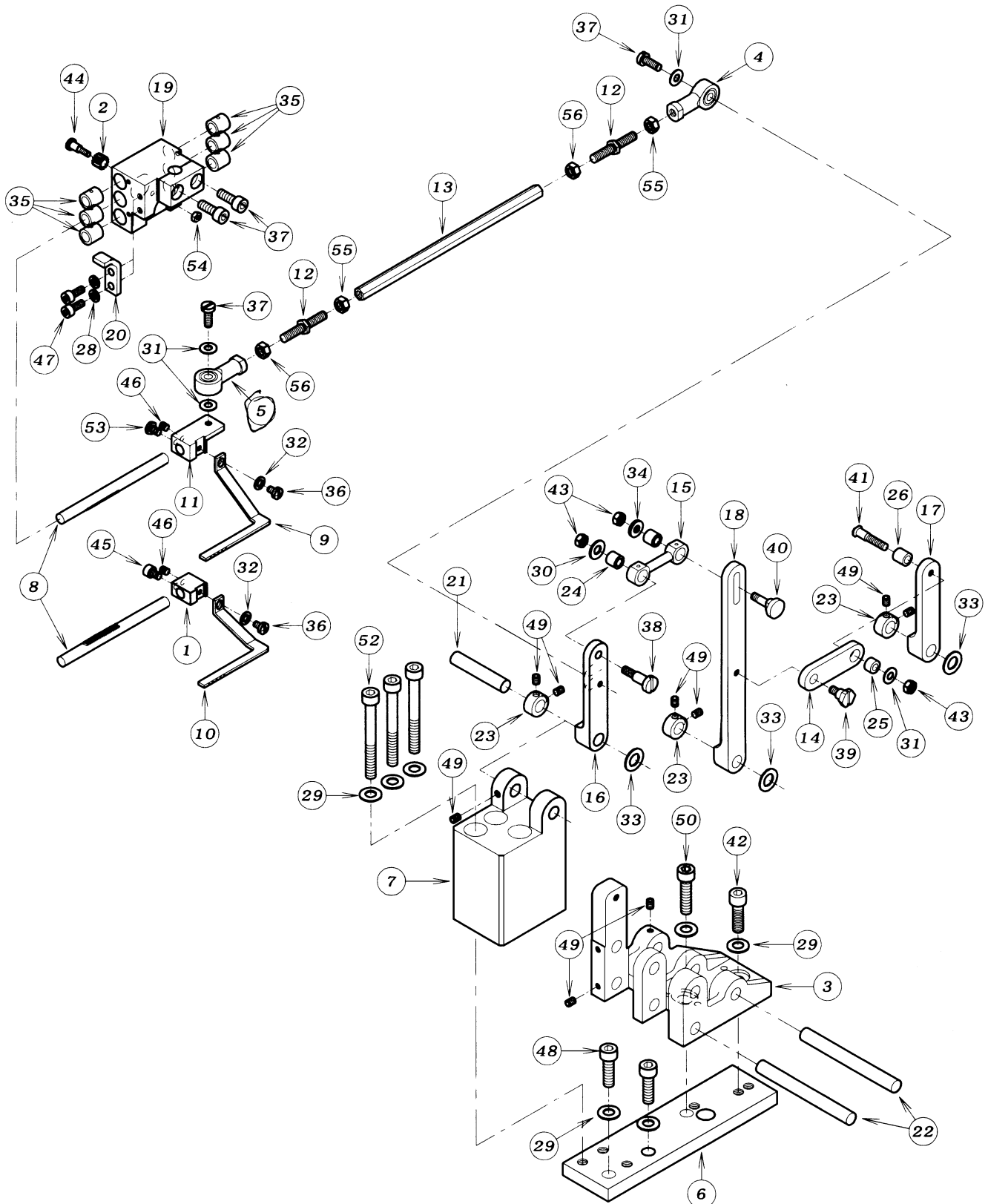
1412PSM
1412PQ-SM



REF.NO.	PART NO.	DESCRIPTION	Q' TY
30-01	21-048	TABLE	1
30-02	23-324	TELT	*
30-03	40-6501	THREAD STAND FOR MODEL 10412	1
30-04	40-6504	THREAD STAND FOR MODEL PSM	1
30-05	40-6505	THREAD STAND FOR MODEL 1012	1
30-06	40-6507	THREAD STAND FOR MODEL SW-40406	1
30-07	41-101	THREAD TENSION NUT	*
30-08	41-105	SPRING POST	*
30-09	41-107	SPRING CUP	*
30-10	41-110	TENSION DISC	*
30-11	41-522	SCREW STUD	*
30-12	41-523	SCREW STUD FOR ELASTIC THREAD	12
30-13	41-524	THREAD EYELET	*
30-14	41-701	SPRING(HEAVY)	12
30-15	41-702	SPRING (LIGHT)	*
30-16	88-157	NUT	*

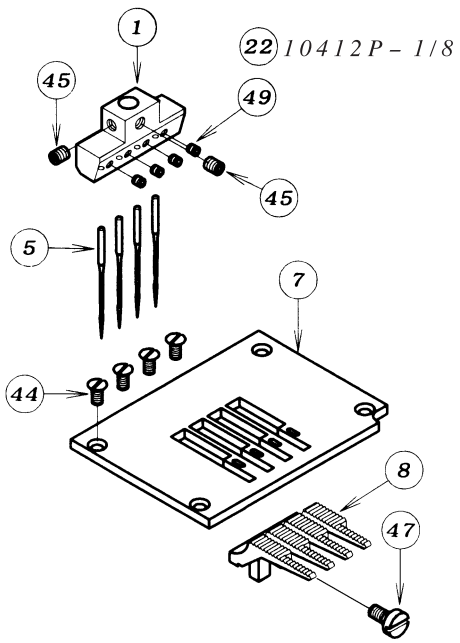
REF.NO.	PART NO.	DESCRIPTION	Q' TY
31-01	02-118	WASHER	2
31-02	04-015	PLATE	1
31-03	04-018	THREAD GUIDE	1
31-04	04-476	BRACKET	1
31-05	21-626	COVER	1
31-06	23-324	FELT	1
31-07	41-101	THREAD TENSION NUT	1
31-08	41-105	SPRING POST	1
31-09	41-107	SPRING CUP	1~2
31-10	41-110	TENSION DISC	1
31-11	41-113	TENSION POST SUPPORT	1
31-12	41-115	THREAD GUIDE	1
31-13	41-120	THREAD EYELET	1
31-14	41-123	TENSION POST HOLDER	1
31-15	41-132	COLLAR	1
31-16	41-136	RUBBER	1
31-17	41-341	BAR	2
31-18	41-429	BRACKET	3
31-19	41-430	BRACKET	1
31-20	41-461	BRACKET	1
31-21	41-508	SCREW STUD	2
31-22	41-509	TENSION DISC	2
31-23	41-510	SCREW STUD	2
31-24	41-701	SPRING (HEAVY)	1
31-25	41-702	SPRING (LIGHT)	2~3
31-26	45-123	THREAD EYELET	2~4
31-27	45-137	THREAD EYELET	3
31-28	45-342	THREAD EYELET	2
31-29	45-429	THREAD TAKE-UP PLATE	5
31-30	45-438	THREAD EYELET	2
31-31	45-441	THREAD EYELET	5
31-32	45-442	THREAD EYELET	1
31-33	45-523	THREAD EYELET	1
31-34	47-117	THREAD EYELET	1~2
31-35	47-176	THREAD EYELET	2
31-36	47-413	THREAD EYELET	2
31-37	71-426	SHAFT	1
31-38	75-455	WASHER	1
31-39	84-361	SCREW	1
31-40	84-374	SCREW	1
31-41	84-396	SCREW	2
31-42	84-521	SCREW	3
31-43	84-764	SCREW	1
31-44	84-765	SCREW	2
31-45	86-211	NUT	
31-46	86-411	NUT	1
31-47	87-113	BOLT	1
31-48	87-129	BOLT	
31-49	87-171	BOLT	1
31-50	87-177	BOLT	
31-51	87-272	SCREW	
31-52	87-293	SCREW	

32. MODEL 10403PSM EXCLUSIVE PARTS (2)

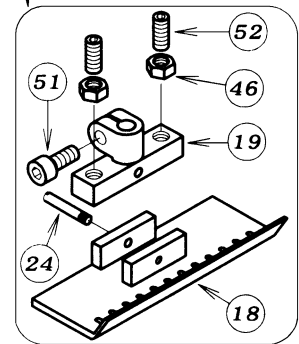
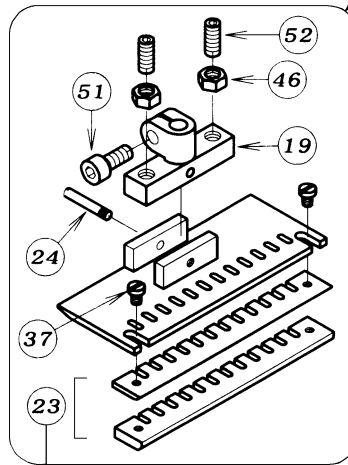
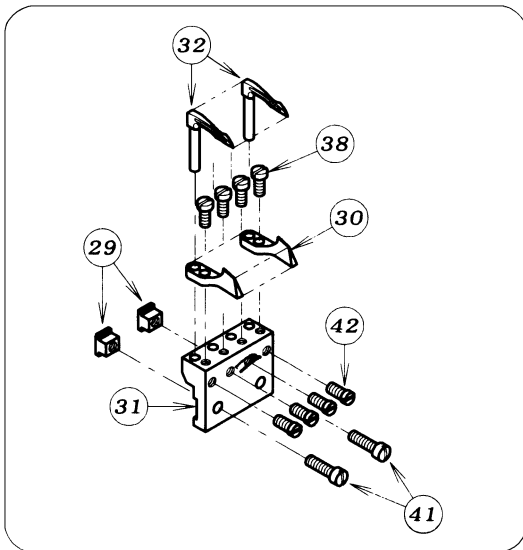
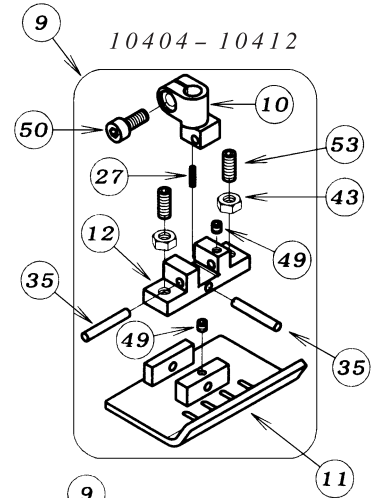
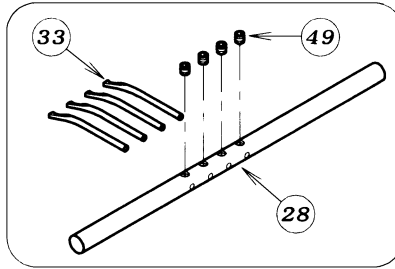
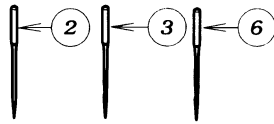


10412PSM (3/16)

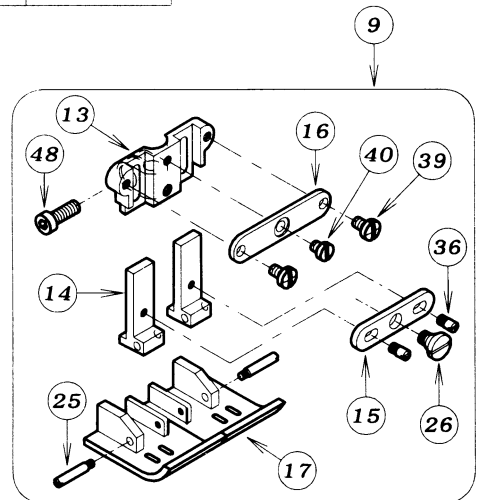
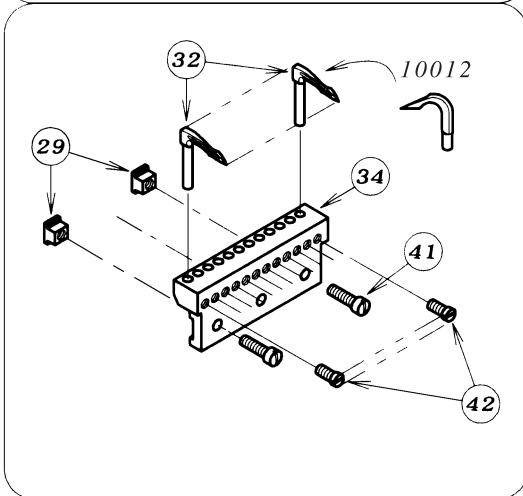
34. GAUGE PARTS (1)



PSM 1012 WB



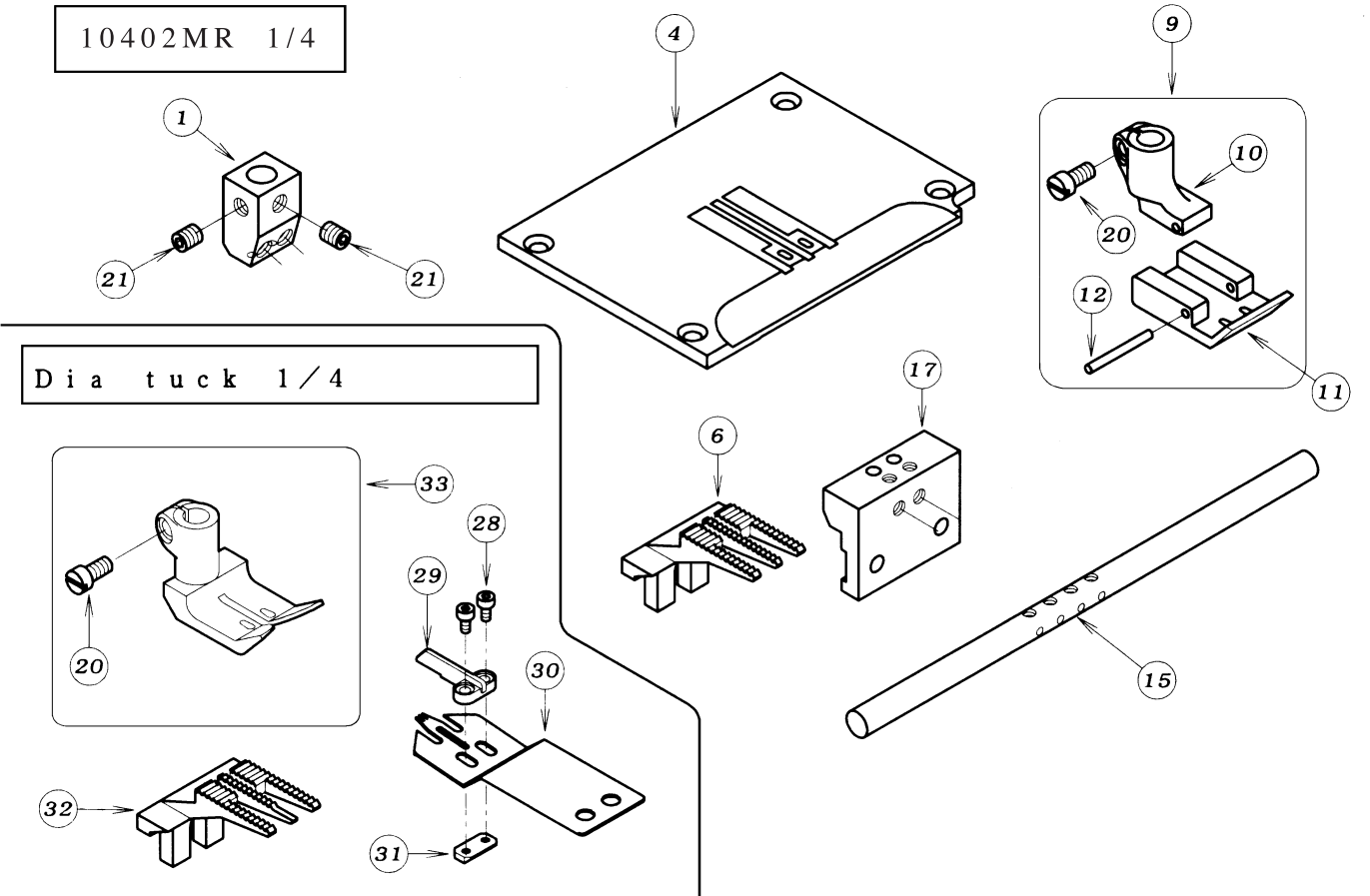
	2mm	4mm
3/16	17-4990-D	17-4990-E
1/4	17-4980-D	17-4980-E



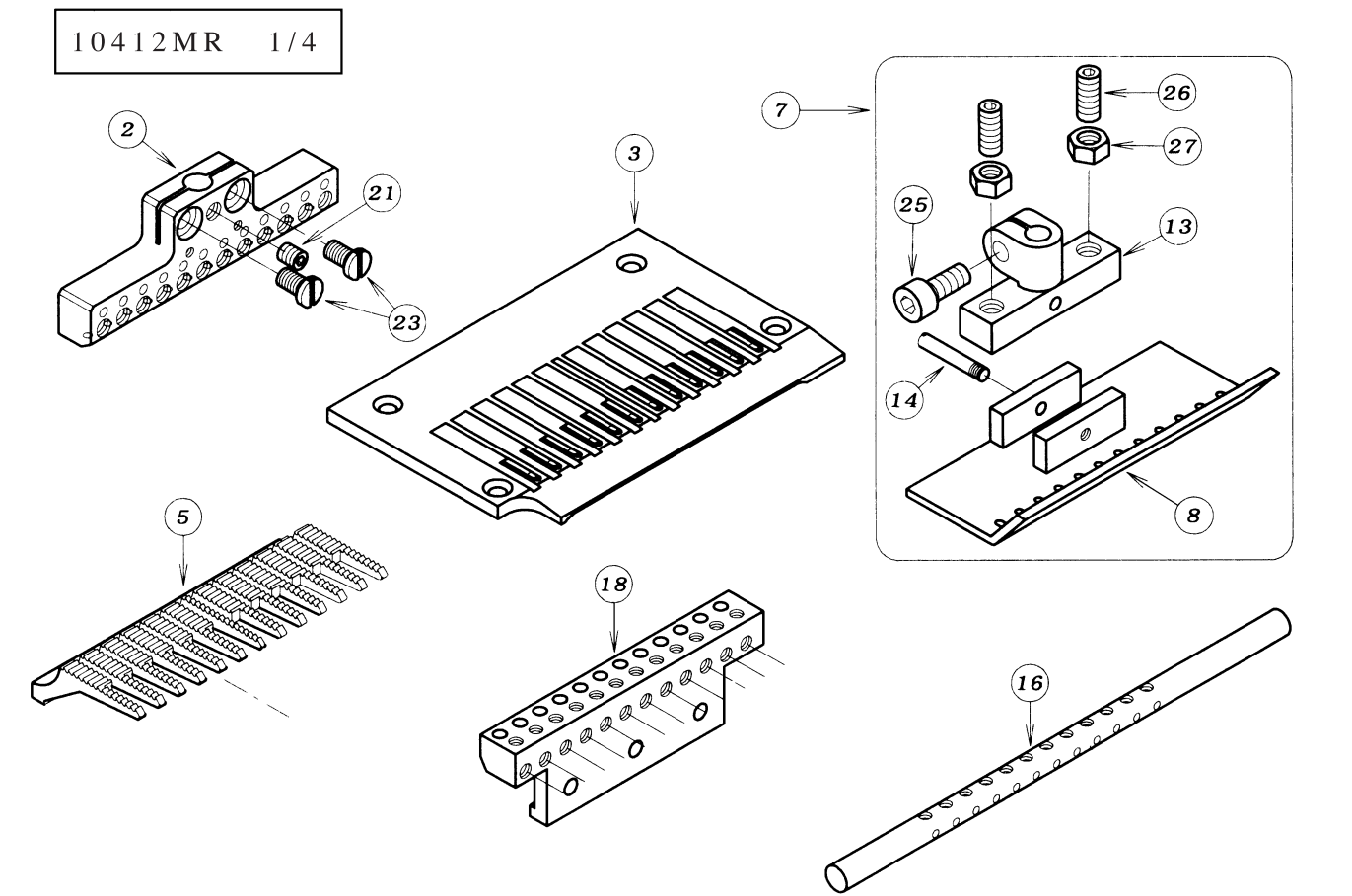
REF.NO.	PART NO.	DESCRIPTION	Q' TY
34-01	*	NEEDLE HOLDER	1
34-02	13-0840-5	NEEDLE	*
34-03	13-0810-5	NEEDLE	*
34-04			
34-05	13-1140-6	NEEDLE	*
34-06	13-1180-5	NEEDLE	*
34-07	*	NEEDLE PLATE	1
34-08	*	FEED DOG	1
34-09	*	PRESSER FOOT ASS'Y	1
34-10	17-3710-A	SHANK	1
34-11	*	BOTTOM	1
34-12	17-3710-C	BRACKET	1
34-13	17-4210-A	BRACKET	1
34-14	17-4210-C	BRACKET	2
34-15	17-4210-E	LINK PLATE	1
34-16	17-4210-G	SLIDE PLATE	1
34-17	*	BOTTOM	1
34-18	*	BOTTOM	1
34-19	17-4960-A	BRACKET	1
34-20			
34-21	*	BOTTOM	1
34-22	87-013	SCREW	12
34-23	*	FRONT GUIDE	1
34-24	17-5700-C	SCREW	1
34-25	17-5810-D	PIN	2
34-26	17-5810-F	SCREW	1
34-27	17-8910-F	SPRING	1
34-28	*	RETAINER LOOPER	1
34-29	19-406	BRACKET	*
34-30	19-416	NEEDLE GUARD	*
34-31	*	LOOPER HOLDER	1
34-32	*	LOOPER	*
34-33	*	RETAINER LOOPER	*
34-34	*	LOOPER HOLDER	1
34-35	71-215	PIN	2
34-36	84-114	SCREW	2
34-37	84-161	SCREW	2
34-38	84-164	SCREW	*
34-39	84-361	SCREW	2
34-40	84-364	SCREW	1
34-41	84-367	SCREW	*
34-42	84-380	SCREW	*
34-43	88-146	NUT	2
34-44	84-464	SCREW	4
34-45	84-521	SCREW	2
34-46	88-160	NUT	2
34-47	84-588	SCREW	1
34-48	84-591	BOLT	1
34-49	87-104	SCREW	*
34-50	87-113	BOLT	1
34-51	87-252	BOLT	1
34-52	87-279	SCREW	2
34-53	87-289	SCREW	2

35. GAUGE PARTS (2)

10402MR 1/4



10412MR 1/4



37. GAUGE PARTS TABLE (1)

Model	Type	Gauge	Needle Holder	Presser Foot Ass`Y	Feed Dog	Needle Plate	Retainer Holder	Retainer Looper	Looper	Looper Holder	Needle Guard
10402	MR	1/4	12-4090-1	17-4150-1	15-415	14-415	18-418			19-413	
	Dia tuck	1/4	12-4090-1	17-0510-1	15-051	14-415	18-418			19-413	
		3/4	12-4180-1	17-3750-1	15-418	14-418	18-418			19-418	
10404	P	1	12-4210-1	17-3710-1	15-421	14-421	18-421			19-421	19-416
	PMD	1-1/8	12-4220-1	17-3720-1	15-422	14-422	18-422			19-422	
		1-1/4	12-4230-1	17-3730-1	15-423	14-423	18-423			19-423	
		1-1/2	12-4240-1	17-3740-1	15-424	14-424	18-424			19-424	
		1/4-1/2-1/4	12-4280-1	17-4280-1	15-428	14-428	18-428			19-428	
10406		3/16	12-4420-1	17-3890-1	15-442	14-442	18-442	19-437	19-431	19-442	
		1/4	12-4430-1	17-3900-1	15-443	14-443	18-443			19-443	
		1/3	12-4400-1	17-4400-1	15-440	14-440	18-440			19-440	
		3/8	12-4540-1	17-3910-1	15-454	14-454	18-454			19-454	19-416
		1/4	12-4650-1	17-3930-1	15-465	14-465	18-465			19-465	
10408	P	1/4	12-4700-1	17-3940-1	15-470	14-470	18-470			19-470	
10409		3/16	12-1990-1	17-3970-1	15-497	14-497	18-497			19-497	
		1/4	12-4980-1	17-3960-1	15-496	14-496	18-496			19-496	19-416
		5mm	12-0450-1	17-3980-1	15-045	14-045	18-045			19-045	
		1/8	12-4780-1	17-4780-1	15-480	14-480	18-480			19-414	
		1/4	12-4430-1	17-4480-1	15-443	14-443	18-443			19-443	
10406		1/3	12-4400-1	17-4390-1	15-440	14-440	18-440			19-440	
		3/8	12-4540-1	17-4490-1	15-454	14-454	18-454		19-431	19-454	19-416
		1/4	12-4650-1	17-4640-1	15-465	14-465	18-465			19-465	
10412		1/4	12-4980-1	17-4940-1	15-496	14-496	18-496			19-496	
		3/16	12-4990-1	17-4950-1	15-497	14-497	18-497			19-497	
		3/16	12-4990-1	17-3970-1	15-497	14-497	18-497			19-497	
10012	P	1/4	12-4980-1	17-3960-1	15-496	14-496		19-112	19-496	19-416	
10404		3/16-3/4-3/16	12-4260-1	17-3760-1	15-426	14-426	18-426			19-426	
		1/4-3/4-1/4	12-4270-1	17-3770-1	15-427	14-427	18-427			19-427	19-416
		3/16-1-3/16	12-4300-1	17-3820-1	15-432	14-432	18-432			19-430	
		1/4-1-1/4	12-4290-1	17-3810-1	15-431	14-431	18-431			19-429	19-416
		3/16-3/4-3/16	12-4260-1	17-4260-1	15-426	14-426	18-426	19-437	19-431	19-426	19-416
10404	WB	1/4-3/4-1/4	12-4270-1	17-4270-1	15-427	14-427	18-427			19-427	19-416
		3/16-1-3/16	12-4300-1	17-4320-1	15-432	14-432	18-432			19-430	
		1-4-1-1/4	12-4290-1	17-4310-1	15-431	14-431	18-431			19-429	19-416

INDEX 2

REF.NO.	PART NO.
11-09	30-0120
11-31	30-0121
11-10	31-151
11-11	31-152
11-12	31-153
11-13	31-154
07-04	31-155
11-14	31-156
11-15	31-157
17-05	31-163
18-17	31-163
19-03	31-163
11-16	31-270
11-54	31-2700-2
11-17	31-271
11-18	31-314
11-08	31-364
02-16	31-438
11-20	31-702
11-21	31-705
11-22	31-707
11-23	35-122
28-16	35-122
11-47	35-246
11-07	35-257
11-52	35-315
28-17	35-315
11-48	35-317
11-49	35-318
11-51	35-322
11-53	35-343
11-24	35-361
11-25	35-362
11-26	35-413
11-19	35-528
01-21	39-108
11-28	39-133
01-22	39-137
28-18	39-139
11-29	39-216
01-23	39-234
18-21	40-6501
25-04	40-6501
30-03	40-6501
18-04	40-6502
25-05	40-6503
25-06	40-6504
30-04	40-6504
18-05	40-6505
30-05	40-6505
30-06	40-6507
03-02	41-101
18-06	41-101
22-03	41-101
25-07	41-101
30-07	41-101
31-07	41-101
03-03	41-105

REF.NO.	PART NO.
18-07	41-105
22-04	41-105
25-08	41-105
30-08	41-105
31-08	41-105
03-04	41-107
18-08	41-107
22-05	41-107
25-09	41-107
30-09	41-107
31-09	41-107
03-05	41-110
18-09	41-110
22-06	41-110
25-10	41-110
30-10	41-110
31-10	41-110
03-06	41-113
22-07	41-113
31-11	41-113
31-12	41-115
03-07	41-120
22-08	41-120
31-13	41-120
22-09	41-121
03-08	41-123
31-14	41-123
31-15	41-132
03-09	41-136
31-16	41-136
27-14	41-341
31-17	41-341
31-18	41-429
31-19	41-430
27-15	41-439
27-16	41-461
31-20	41-461
27-17	41-462
31-21	41-508
31-22	41-509
03-10	41-510
22-10	41-510
31-23	41-510
18-14	41-522
25-14	41-522
30-11	41-522
18-15	41-523
30-12	41-523
18-20	41-524
25-15	41-524
30-13	41-524
03-11	41-701
18-10	41-701
22-11	41-701
25-11	41-701
30-14	41-701
31-24	41-701
03-12	41-702

REF.NO.	PART NO.
18-11	41-702
22-12	41-702
25-12	41-702
30-15	41-702
31-25	41-702
17-02	42-704
17-01	42-718
22-13	45-101
04-01	45-107
22-14	45-107
03-13	45-123
31-26	45-123
04-02	45-127
24-15	45-127
22-15	45-131
03-14	45-133
27-18	45-137
31-27	45-137
22-16	45-237
22-17	45-238
23-24	45-242
22-18	45-261
22-19	45-262
22-20	45-263
22-21	45-264
27-19	45-342
31-28	45-342
27-20	45-343
27-21	45-344
23-25	45-401
23-26	45-402
03-15	45-429
22-22	45-429
31-29	45-429
03-16	45-430
03-17	45-431
04-03	45-432
04-04	45-433
04-05	45-434
04-06	45-435
04-07	45-437
22-23	45-437
03-18	45-438
31-30	45-438
31-31	45-441
22-24	45-442
31-32	45-442
31-33	45-523
22-25	45-550
03-19	47-117
22-26	47-117
31-34	47-117
04-08	47-120
22-27	47-120
22-28	47-166
31-35	47-176
09-08	47-220
04-09	47-408

REF.NO.	PART NO.
22-29	47-408
04-10	47-409
22-30	47-409
03-20	47-413
04-11	47-413
22-31	47-413
31-36	47-413
07-05	51-017
07-06	51-031
08-02	55-041
08-03	55-141
08-04	55-146
21-13	58-410
08-34	60-0800
08-35	60-0900
09-43	60-1390
09-44	60-1410
07-07	60-3460
06-30	60-3700
15-17	60-8271
24-16	60-8271
14-06	61-208
09-09	61-241
09-10	61-244
08-05	61-312
08-06	61-322
07-08	61-532
06-05	61-711
14-07	61-714
07-09	61-723
14-08	61-810
15-18	61-821
24-17	61-821
14-09	63-208
08-07	63-232
09-11	63-241
08-08	63-353
08-36	63-3530-2
21-14	63-409
21-15	63-410
07-10	63-517
07-11	63-621
14-10	63-711
06-06	63-713
14-11	63-810
15-19	63-812
24-18	63-812
06-07	65-302
14-12	65-302
15-20	65-334
24-19	65-334
29-05	65-341
32-12	65-341
29-06	65-347
32-13	65-347
29-07	65-348
21-16	65-402
06-08	66-111

REF.NO.	PART NO.
09-12	66-116
15-21	66-131
24-20	66-131
29-08	66-433
32-14	66-433
32-15	66-519
09-13	67-141
09-14	67-147
14-13	67-171
14-14	67-172
15-22	67-180
24-21	67-180
09-15	67-235
08-09	67-311
21-17	67-410
21-18	67-427
32-16	67-430
29-09	67-431
32-17	67-431
32-18	67-432
29-10	67-434
29-11	67-435
29-12	67-436
29-13	67-437
06-09	69-105
06-31	69-1050-2
06-10	69-117
06-11	69-120
07-12	69-216
07-13	69-305
28-19	69-320
27-22	69-324
32-19	69-324
27-23	69-325
32-20	69-325
27-24	69-326
19-19	69-849
19-12	69-851
07-39	70-0240
07-38	70-0350
28-20	71-208
34-35	71-215
36-19	71-215
08-10	71-217
15-23	71-227
24-22	71-227
20-10	71-241
02-17	71-255
05-05	71-255
05-06	71-256
20-11	71-263
28-21	71-266
15-24	71-350
24-23	71-350
08-11	71-351
15-25	71-361
24-24	71-361
15-26	71-362

REF.NO.	PART NO.
24-25	71-362
27-25	71-370
32-21	71-423
31-37	71-426
08-12	71-431
09-16	71-431
06-12	71-432
08-13	71-432
15-27	71-432
24-26	71-432
21-19	71-434
33-09	71-443
12-14	71-444
13-14	71-445
14-15	71-450
27-26	71-457
27-27	71-458
27-28	71-459
27-29	71-460
29-14	71-529
32-22	71-529
08-14	71-531
10-02	71-542
07-14	71-612
09-18	71-626
08-15	71-642
12-15	71-651
33-10	71-651
13-15	71-652
14-16	71-691
28-22	71-706
14-17	71-726
07-15	71-747
20-12	71-761
21-20	71-762
07-16	71-842
07-17	71-855
09-19	71-911
09-20	71-913
12-16	71-921
13-16	71-921
06-13	71-933
28-23	71-942
09-22	73-116
06-14	73-121
16-07	75-097
07-18	75-101
07-19	75-107
07-20	75-112
14-18	75-112
21-21	75-112
28-24	75-112
09-24	75-135
08-16	75-139
09-23	75-139
29-15	75-152
32-23	75-152
10-03	75-180

INDEX 4

REF.NO.	PART NO.	REF.NO.	PART NO.	REF.NO.	PART NO.	REF.NO.	PART NO.
01-29	87-099	10-28	87-177	01-33	87-264	34-46	88-160
36-25	87-100	15-44	87-177	32-53	87-266	35-27	88-160
19-22	87-104	22-42	87-177	15-49	87-268	36-32	88-160
34-49	87-104	23-56	87-177	22-43	87-269	02-35	88-166
36-26	87-104	31-50	87-177	23-58	87-269	23-53	88-166
32-46	87-106	08-26	87-181	03-27	87-272	12-31	88-179
10-27	87-112	09-38	87-181	04-13	87-272	13-31	88-179
02-29	87-113	12-29	87-181	22-44	87-272	33-24	88-179
03-24	87-113	13-29	87-181	31-51	87-272	15-51	88-456
04-15	87-113	15-45	87-181	34-52	87-279	24-50	88-456
06-26	87-113	24-44	87-181	35-26	87-279	28-46	88-462
12-27	87-113	28-43	87-181	36-29	87-279	08-30	91-270
13-27	87-113	29-28	87-181	02-32	87-280	21-47	91-270
22-41	87-113	32-49	87-181	23-49	87-280	09-40	91-401
27-39	87-113	33-22	87-181	02-33	87-285	15-52	91-405
28-39	87-113	11-42	87-183	14-48	87-285	24-51	91-405
31-47	87-113	29-25	87-188	02-44	87-287	33-25	91-405
32-47	87-113	32-50	87-188	09-37	87-287	08-31	91-406
33-20	87-113	20-21	87-203	14-49	87-287	12-32	91-407
34-50	87-113	24-45	87-203	23-50	87-287	13-32	91-407
36-27	87-113	05-26	87-214	34-53	87-289	21-48	91-409
01-30	87-123	12-13	87-214	36-30	87-289	23-54	92-233
02-30	87-123	13-09	87-214	14-50	87-291	15-53	93-200
11-39	87-123	14-44	87-214	03-26	87-293	24-52	93-200
23-46	87-123	09-34	87-224	04-17	87-293	14-54	93-203
27-40	87-123	27-43	87-224	22-45	87-293	21-49	93-203
01-31	87-129	32-51	87-224	31-52	87-293	14-55	93-205
11-40	87-129	06-28	87-225	16-01	87-309	09-41	93-211
12-28	87-129	12-30	87-225	27-44	87-309	12-33	93-221
13-28	87-129	13-30	87-225	02-46	87-310	13-33	93-221
15-43	87-129	14-45	87-225	24-48	87-310	33-26	93-221
16-03	87-129	33-23	87-225	11-45	87-311	14-56	93-222
24-43	87-129	06-29	87-242	28-45	87-311	14-57	93-258
27-41	87-129	07-35	87-242	02-47	87-316	08-32	93-261
31-48	87-129	32-52	87-243	01-34	87-409	07-37	93-264
33-21	87-129	05-27	87-245	23-51	87-412	23-55	93-266
11-41	87-140	08-27	87-245	23-52	87-415	09-42	93-401
14-41	87-171	09-17	87-245	15-50	87-456	08-33	93-406
27-42	87-171	08-28	87-252	24-49	87-456	10-31	93-611
28-40	87-171	10-22	87-252	05-28	87-661	02-36	93-701
31-49	87-171	11-36	87-252	14-51	87-754	05-29	94-214
06-27	87-172	34-51	87-252	10-30	88-003	20-23	94-214
07-33	87-172	35-25	87-252	11-46	88-137	10-01	94-231
14-42	87-172	36-28	87-252	27-45	88-137	26-02	97-4150-0
23-47	87-172	15-46	87-253	32-54	88-137	26-03	97-4151-0
28-41	87-172	24-46	87-253	02-34	88-146		
09-36	87-173	07-36	87-254	14-52	88-146		
11-37	87-173	08-29	87-254	23-57	88-146		
14-43	87-173	09-39	87-254	34-43	88-146		
21-45	87-173	11-44	87-254	36-31	88-146		
28-42	87-173	14-47	87-254	14-53	88-157		
29-32	87-173	15-47	87-254	18-13	88-157		
32-48	87-173	21-46	87-254	25-13	88-157		
01-32	87-177	24-47	87-254	29-29	88-157		
02-49	87-177	28-44	87-254	30-16	88-157		
03-25	87-177	15-48	87-255	32-55	88-157		
04-16	87-177	20-22	87-255	29-30	88-158		
07-34	87-177	23-48	87-261	32-56	88-158		