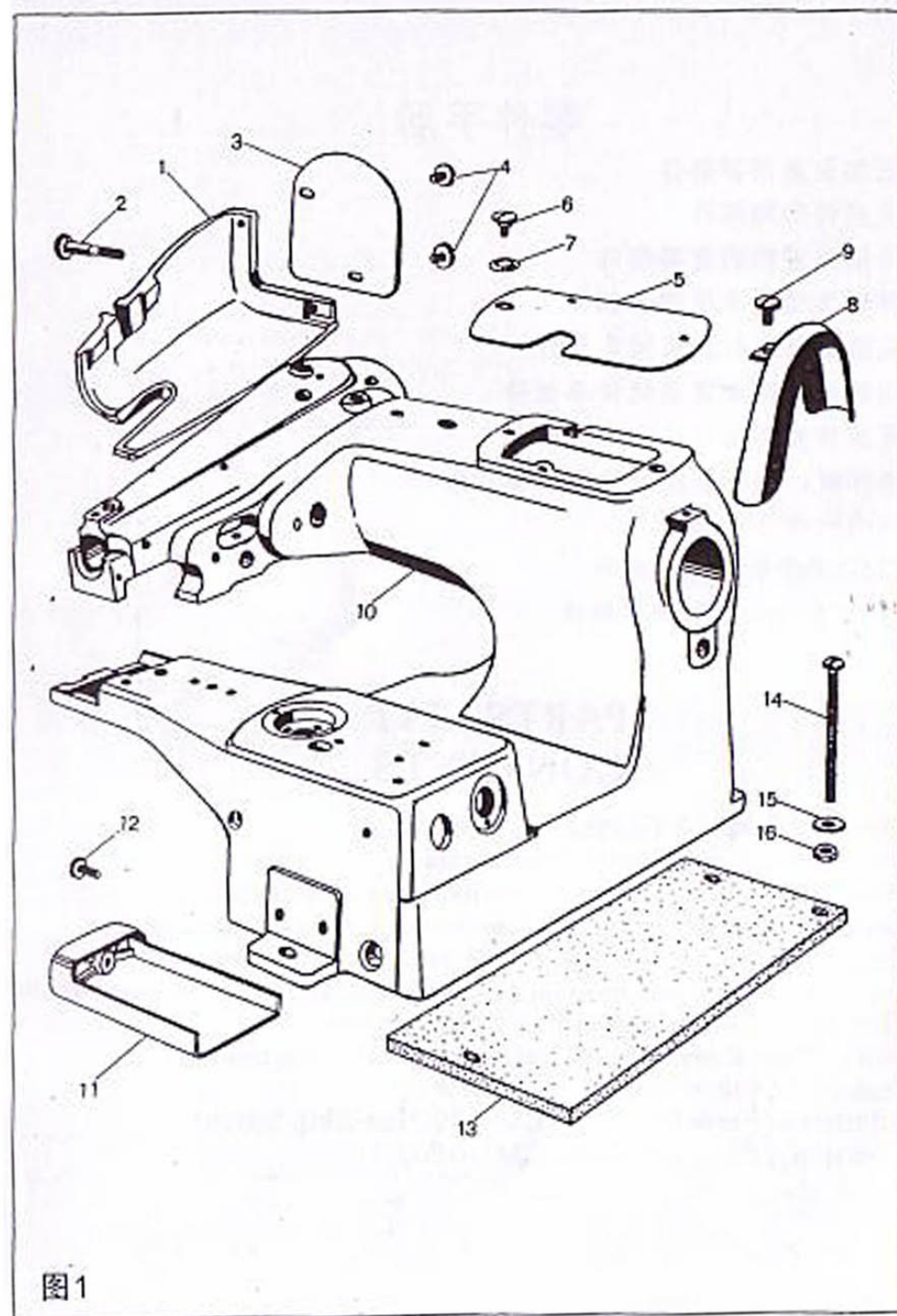


## PARTS LIST CONTENTS

Machine Frame & Covers Components  
Main Shaft Mechanism Components  
Needle Carrier & Feed Dog Mechanism Components  
Looper Drive Mechanism & Presser Foot Parts Components  
Ridge Forming Disc & Feed Plate Mechanism Components  
Disc Oscillating Mechanism & Knee Press Shaft Parts Components  
Thread Tension & Nipper Parts Components  
Work Plate, Knee Press & Belt Cover Parts Components  
Standard Accessories  
Additional Parts for Model CM-100(Non-Skip Stitch)  
Additional Parts for Model CM-101-H



# 机架及盖部零部件

## Machine Frame & Covers Components

序号 Ref.NO.	部件号码 Parts No.	部件名称 Description	部件名称 Description
1-1	4139	边盖	Arm Side Cover
1-2	4144	边盖固定螺钉	Arm Side Cover Set Screw
1-3	4137	边盖板	Arm Side Cover Plate
1-4	5227	边盖板螺钉	Arm Side Cover Plate Screw
1-5	4138-B	顶盖板	Arm Top Cover Plate
1-6	4141	顶盖板螺钉	Arm Top Cover Plate Screw
1-7	4140-A	顶盖板垫圈	Arm Top Cover Plate Washer
1-8	4143	皮带护罩	Belt Guard
1-9	4048-A	皮带护罩固定螺钉	Belt Guard Set Screw
1-10	AM100-B	机架	Machine Frame
1-11	11091	端面盖	End Cover
1-12	11153	端面盖固定螺钉	End Cover Set Screw
1-13	4214	机器底座毛毡护垫	Machine Base Felt Pad
1-14	AC-15	机器底座螺钉	Machine Base Clamp Screw
1-15	AC-17	机器底座垫圈	Machine Base Washer
1-16	AC-16	机器底座螺母	Machine Base Nut

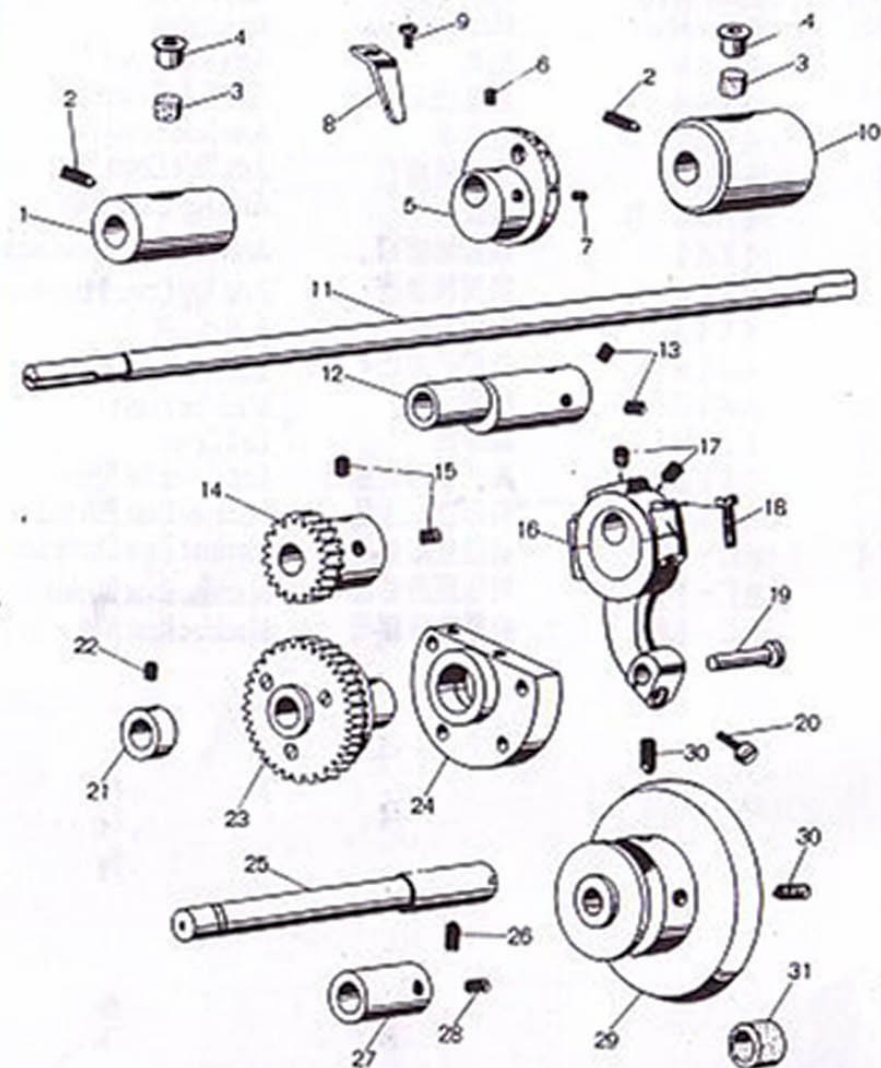


图 2



# 主要传动轴部件

## Main Shaft Mechanism Components

序号 Ref.NO.	部件号码 Parts No.	部件名称 Description	部件名称 Description
2-1	11005	主轴前套管	Main Shaft Bushing(Front)
2-2	131	主轴套管螺钉	Main Shaft Bushing Set Screw
2-3	4217	油毡	Oiling Felt
2-4	4218-A	油盖	Oil Cap
2-5	4133	针缝调节轮	Counterweight(w/ Stitch Length Numbers)
2-6	132	针缝调节轮大螺钉	Counterweight Set Screw(Short)
2-7	98	针缝调节轮大螺钉	Counterweight Set Screw(Long)
2-8	4134	缝迹长度指示器	Stitch Length Indicator
2-9	124	缝迹长度指示器螺钉	Stitch Length Indicator Set Screw
2-10	11006	主轴后套管	Main Shaft Bushing(Rear)
2-11	4003-A	主轴	Main Shaft
2-12	6048	松紧线偏心器	Thread Tension Releasing Eccentric
2-13	96	主轴齿轮螺钉	Thread Tension Releasing Eccentric Set Screw
2-14	4162	主轴齿轮	Skip Stitch Gear(small)
2-15	96	松紧线索偏心器螺钉	Skip Stitch Gear Set Screw
2-16	525-A	偏连杆	Eccentric Rod Assembly (w/Ref.Nos.17,18)
2-17	98	偏心连杆套管螺钉	Eccentric Bushing Screw
2-18	105	偏心连杆螺钉	Eccentric Rod Set Screw
2-19	4065	偏心连杆销子	Eccentric Rod Stud
2-20	1413	偏心连杆销子螺钉	Eccentric Rod Stud Set Screw
2-21	4077-A	主轴齿轮轴环	Skip Stitch Gear Shaft Collar (small)
2-22	132	主轴齿轮轴环螺钉	Skip Stitch Gear Shaft Collar Set Screw
2-23	4163	跳缝齿轮	Skip Stitch Gear (Large) Assembly
2-24	4164	离心杆接头	Eccentric Rod Connection
2-25	4166-A	跳缝齿杆轴	Skip Stitch Gear Shaft
2-26	131	跳缝齿杆轴螺钉	Skip Stitch Gear Shaft Set Screw
2-27	4168	跳缝齿杆轴环	Skip Stitch Gear Shaft Collar (Large)
2-28	132	跳缝齿杆轴环螺钉	Skip Stitch Gear Shaft Collar Set Screw
2-29	4142-B	皮带轮	Hand Wheel (Pulley)
2-30	131	皮带轮螺钉	Hand Wheel Set Screw
2-31	4207-A	皮带轮橡皮盖	Hand Wheel Rubber Cap

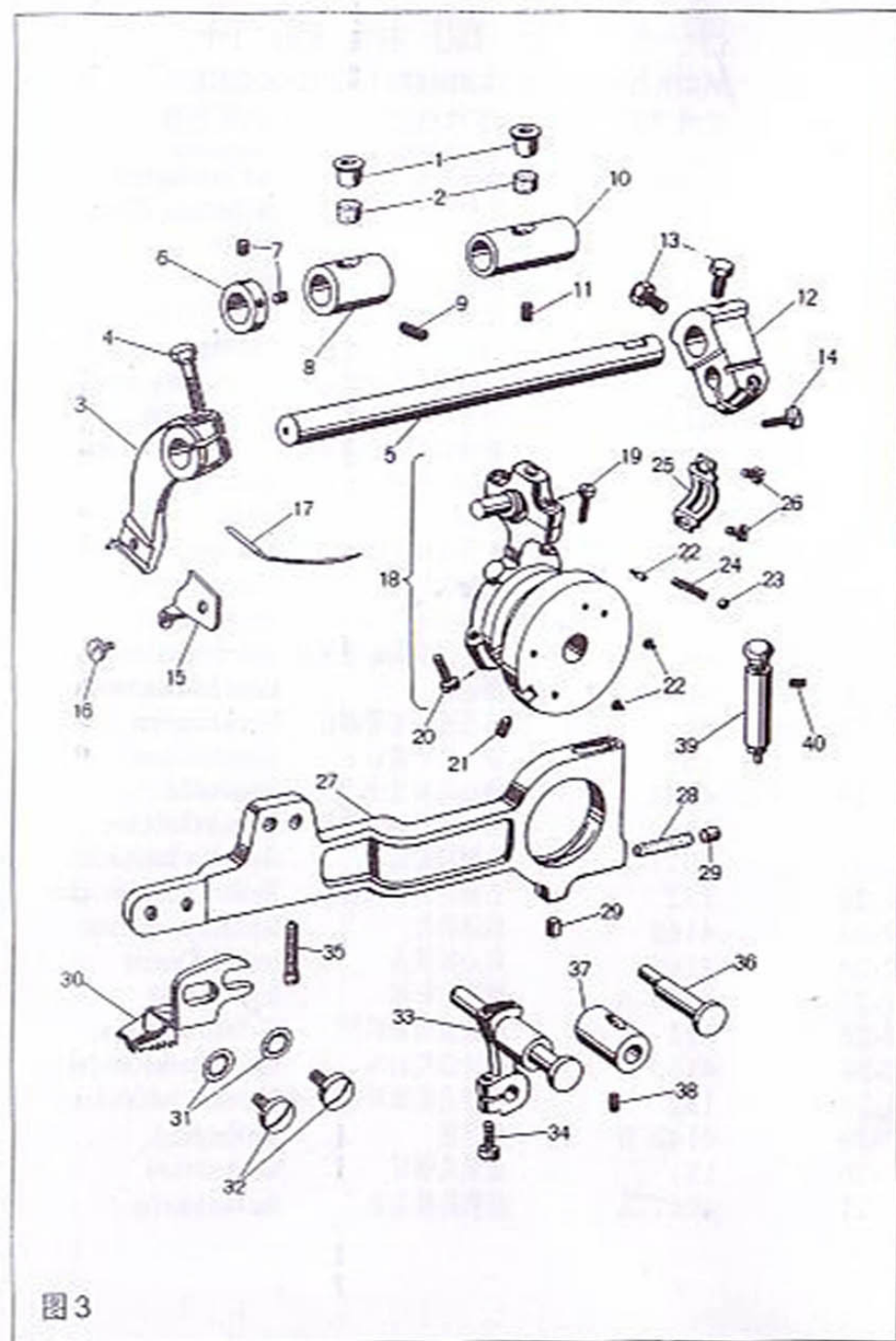


图3

# 针摆装置及进料装置零部件

## Needle Carrier & Feed Dog Mechanism Components

序号 Ref.NO.	部件号码 Parts No.	部件名称 Description	部件名称 Description
3-1	4128A	油盖	Oil Cap
3-2	4217	油毡	Oiling Felt
3-3	4023A	针摆	Needle Carrier
3-4	4024	针摆螺钉	Needle Carrier Set Screw
3-5	4019	针轴	Needle Carrier Shaft
3-6	4022	针轴环	Needle Carrier Shaft Collar
3-7	129-13	针轴环螺钉	Needle Carrier Shaft Collar Set Screw
3-8	4020-A	针轴前套管	Needle Carrier Shaft Bushing (Front)
3-9	129-A	针轴前套管螺钉	Needle Carrier Shaft Bushing (Front) Set Screw
3-10	4021-A	针轴后套管	Needle Carrier Shaft Bushing (Rear)
3-11	129-A	针轴后套管螺钉	Needle Carrier Shaft Bushing (Rear) Set Screw
3-12	4017-A	针轴曲柄螺钉	Needle Carrier Shaft Crank Set Screw
3-13	4018-A	针轴曲柄螺钉	Needle Carrier Shaft Crank Set Screw
3-14	114-A	针轴曲柄夹紧螺钉	Needle Carrier Shaft Crank Clamp Set Screw
3-15	11139	针夹	Needle Clamp
3-16	121	针夹螺钉	Needle Clamp Set Screw
3-17	4181	机针 (LW/6T系列)	Needle (System LW/6T)
3-18	1151	关节球头组件	Ball Connecting Rod Set Screw (short)
3-19	4211-C	连接杆短螺钉	Ball Connecting Rod Set Screw (short)
3-20	4173	连接杆长螺钉	Ball Connecting Rod Set Screw (long)
3-21	4009B	连杆偏心器螺钉	Needle Driving Eccentric Set Screw
3-22	4012-A	缝迹指示器螺钉	Stitch Regulator Screw
3-23	4010	缝迹指示器钢球	Stitch Regulator Ball
3-24	4011-A	缝迹指示器弹簧	Stitch Regulator Spring
3-25	4014	球头套盖	Ball Connecting Rod Cap
3-26	4015	球头套盖螺钉	Ball Connecting Rod Cap Set Screw
3-27	11902	进料杆	Feed Lever
3-28	11124-J	油毡	Oiling Felt
3-29	11121	油盖	Oil Cap
3-30	10129	牙齿	Feed Dog
3-31	2528	牙齿垫圈	Feed Dog Washer
3-32	4048-A	牙齿螺钉	Feed Dog Set Screw
3-33	1152-A	送布曲柄及销子	Feed Link & Stud
3-34	4173	送布曲柄销子螺钉	Feed Link Stud Set Screw
3-35	4042A	送料曲柄销子螺钉	Feed Link Stud Set Screw
3-36	4044	送料曲柄偏心销	Feed Link Eccentric Stud
3-37	4043	送料曲柄套管	Feed Link Eccentric Stud Bushing
3-38	129A	送料曲柄套管螺钉	Feed Link Eccentric Stud Bushing Set Screw
3-39	S20A	缝迹长度调整活塞	Stitch Length Regulating Plunger Assembly
3-40	129A	活塞螺钉	Stitch Length Regulating Plunger Set Screw

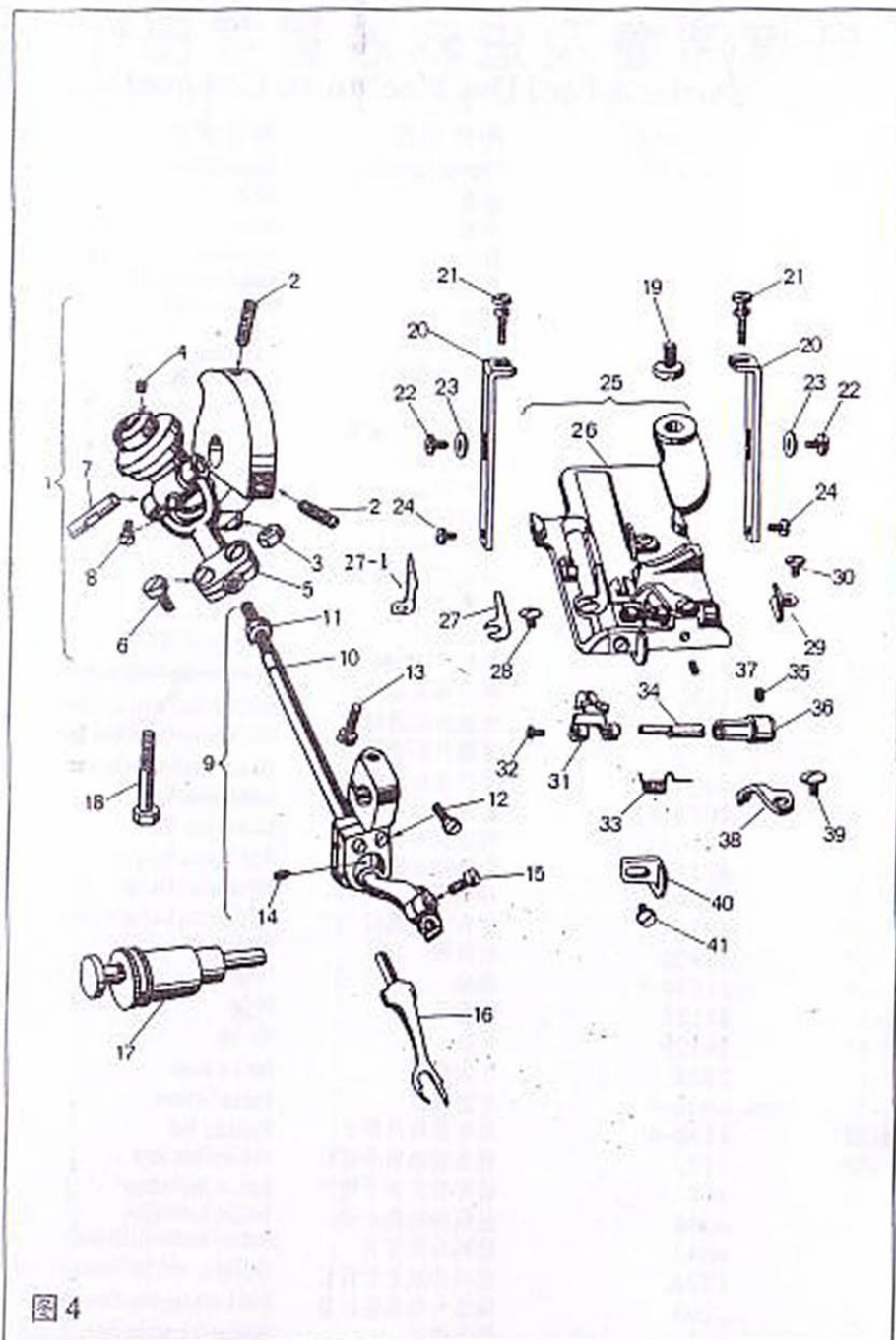


图 4



# 打环器装置及针板零部件

## Looper Drive Mechanism & Presser Foot Parts Components

序号 Ref.NO.	部件号码 Parts No.	部件名称 Description	部件名称 Description
4-1	538-A	打环器曲柄组件	Looper Drive Crank Assembly w/Looper Yoke Set Screw (Ref. No. 2-9)
4-2	4191	打环器曲柄组件螺钉	Looper Drive Crank Set Screw
4-3	5039-A	打环器曲柄螺母	Looper Drive Crank Stud Nut
4-4	129-B	打环器曲柄轴环螺钉	Looper Drive Crank Stud Collar Set Screw
4-5	4030-A	打环器	Looper Yoke
4-6	4031	打环器螺钉	Looper Yoke Set Screw
4-7	4032-A	打环器销子螺钉	Looper Yoke Pin
4-8	8142	打环器销子螺钉	Looper Yoke Pin Set Screw
4-9	539-A	打环器组件及螺钉	Looper Carrier Assembly w/Ball Joint & Screw (Ref. No. 10-11)
4-10	4035-A	打环器针	Looper Carrier
4-11	4176	打环器针螺母	Looper Carrier Nut
4-12	4216	打环器轴承螺钉	Looper Carrier Ball Joint Set Screw
4-13	4213	打环器轴承夹螺钉	Looper Carrier Ball Joint Clamp Screw
4-14	4179-D	打环器球头固定螺钉	Looper Carrier Ball Spot Screw
4-15	4040	打环器针夹螺钉	Looper Clamp Screw
4-16	4039	挑线叉	Looper
4-17	505	偏心套筒及销子	Eccentric Sleeve & Pin
4-18	4038	套筒螺钉	Eccentric Sleeve Clamp Screw
4-19	4050	针板螺钉	Presser Foot Set Screw
4-20	4061-A	针板支架	Presser Foot Bracket
4-21	4062	针板支架调节螺钉	Presser Foot Bracket Adjusting Screw
4-22	121-B	针板支架夹紧螺钉	Presser Foot Bracket Holding Screw
4-23	11158	针板支架垫圈	Presser Foot Bracket Screw
4-24	4186-A	针板夹紧螺钉	Presser Foot Holding Screw
4-25	PF100	针板组件	Plain Presser Foot
4-26	4049-B	针板	Needle Guide
4-27	11563	锁扣式挑线叉	Stitch Stabilizing Guide
4-28	4052-B	导针板螺钉	Needle Guide Set Screw
4-29	4058-A	链指针	Chaining Finger
4-30	4158对性	链指针螺钉	Chaining Finger Set Screw
4-31	4055CAS	压布板	Cloth Retainer
4-32	4185	压布板螺钉	Cloth Retainer Screw
4-33	4056	压布板弹簧	Cloth Retainer Spring
4-34	4054	压布板偏心销	Cloth Retainer Eccentric Stud
4-35	4183	压布板偏心销螺钉	Cloth Retainer Eccentric Stud Set Screw
4-36	4053	压布板偏心套筒	Cloth Retainer Eccentric Stud Bushing
4-37	130-B	压布板偏心套筒螺钉	Cloth Retainer Eccentric Stud Bushing Set Screw
4-38	4057-C	定位器螺钉	Cloth Retainer Stopper
4-39	4182	定位器螺钉	Cloth Retainer Stopper Set Screw
4-40	4059	引边装置	Edge Guide
4-41	4185	引边装置螺钉	Edge Guide Set Screw

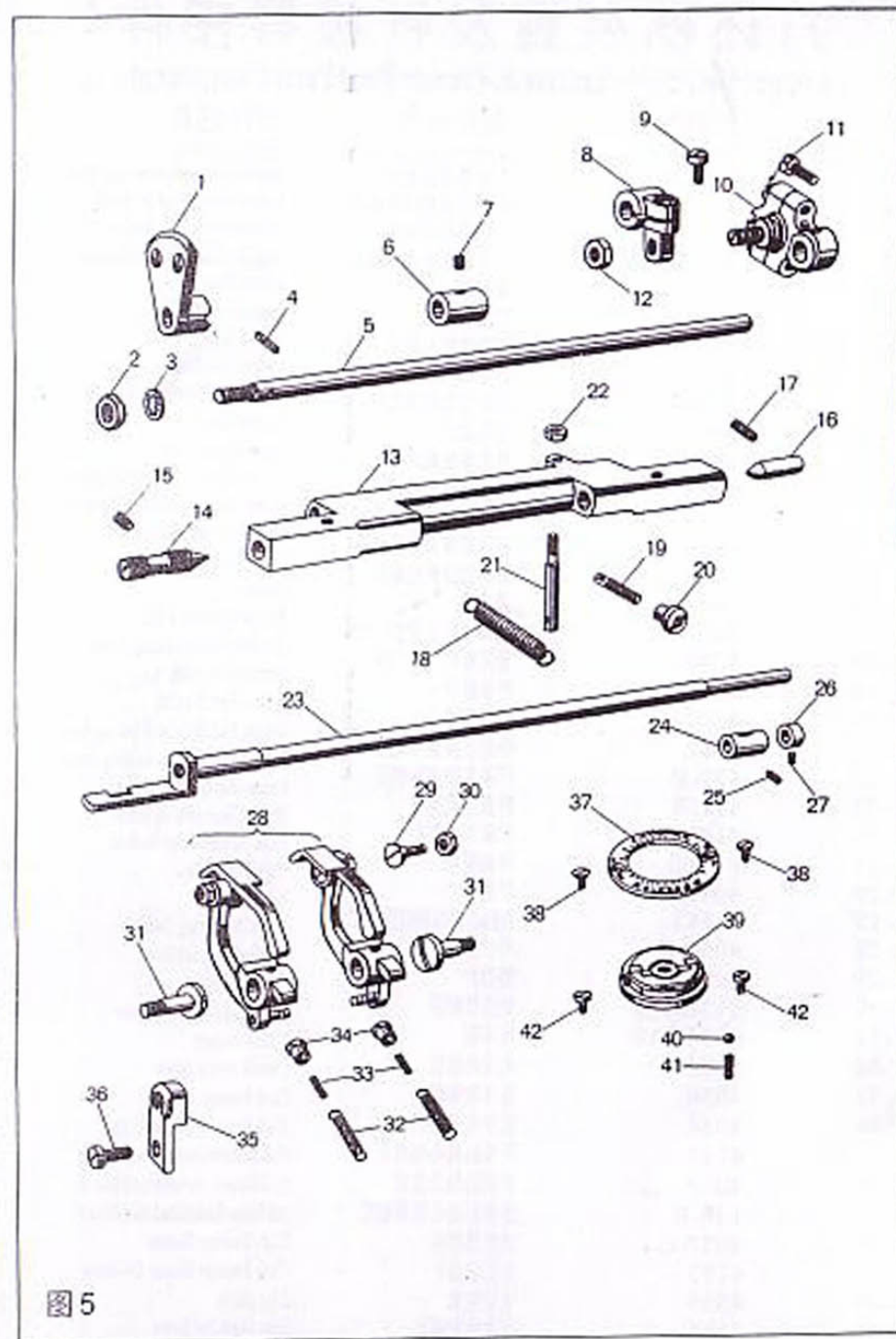


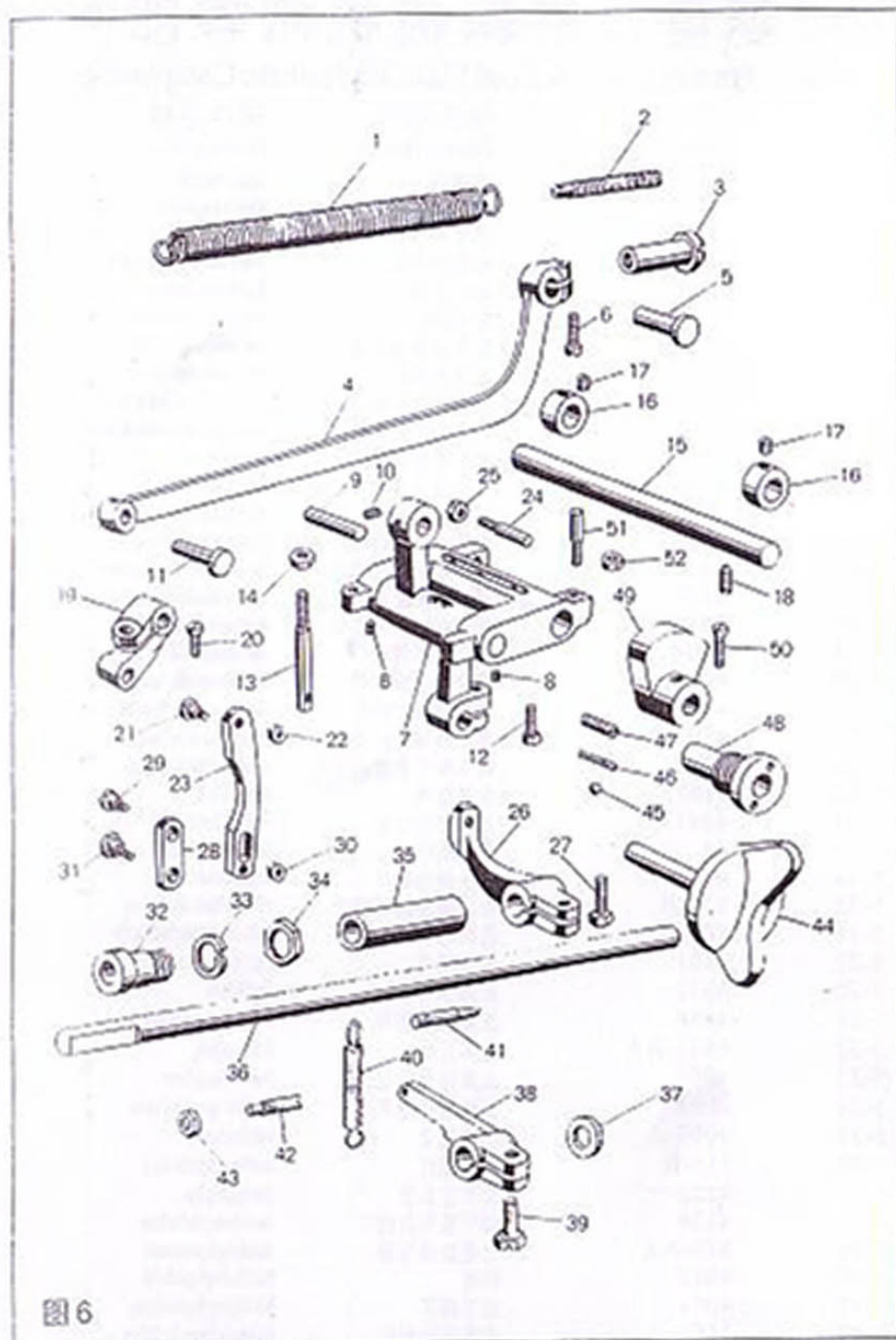
图 5



# 起菱盘及进料板机械零部件

## Ridge Forming Disc & Feed Plate Mechanism Components

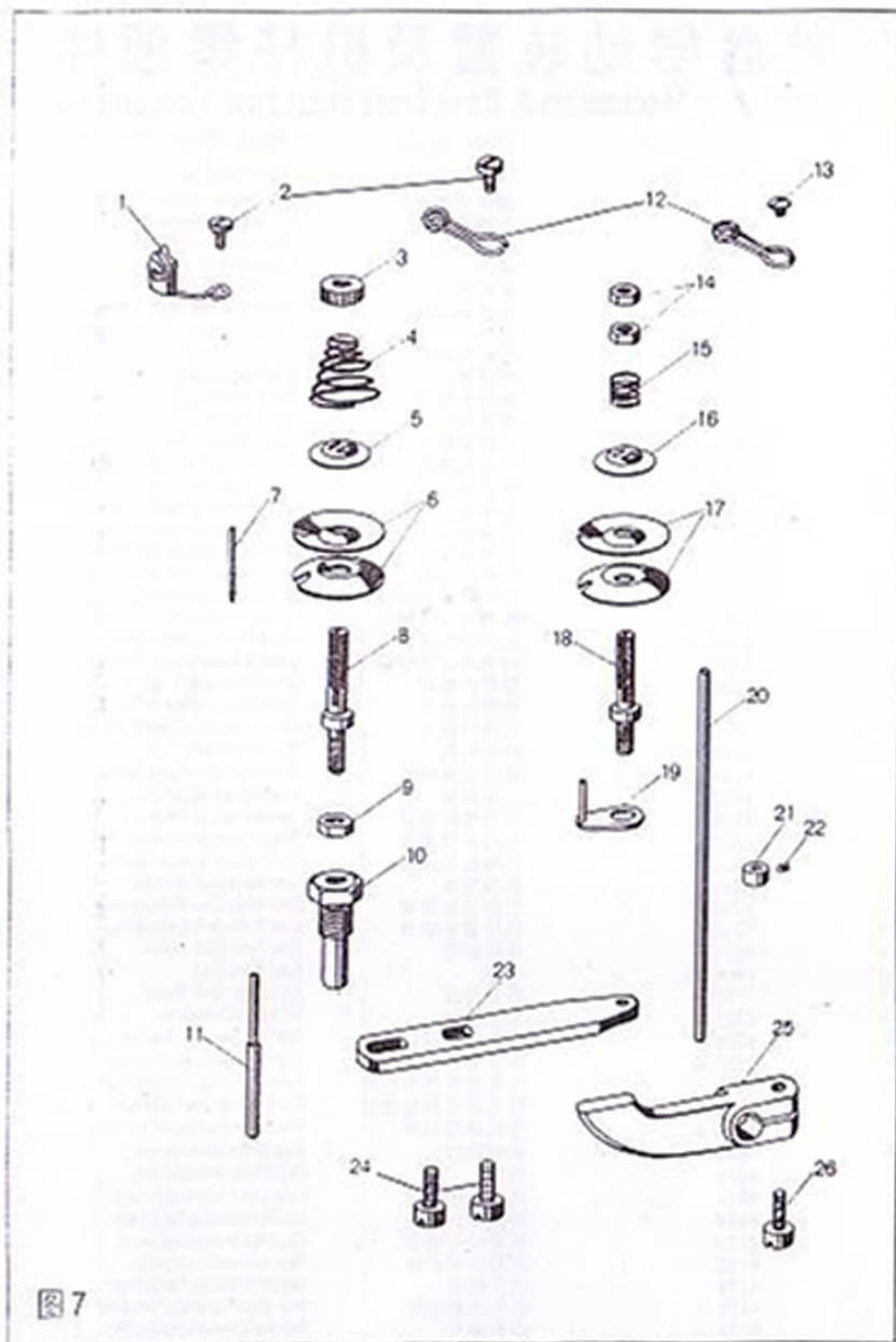
序号 Ref. NO.	部件号码 Parts No.	部件名称 Description	部件名称 Description
5-1	11220-T	起菱盘	Ridge Forming Disc
5-2	4208	起菱盘螺母	Ridge Forming Disc Nut
5-3	5222-B	起菱盘垫圈	Ridge Forming Disc Washer
5-4	8150	起菱盘挡销	Ridge Forming Disc Positioning Pin
5-5	4109-A	起菱盘轴	Ridge Forming Disc Shaft
5-6	4111	起菱盘轴环	Ridge Forming Disc Shaft Collar
5-7	129-B	起菱盘轴环螺母	Ridge Forming Disc Shaft Collar Set Screw
5-8	4112	起菱盘轴环	Ridge Forming Disc Shaft Collar
5-9	113-B	起菱盘轴柄螺钉	Ridge Forming Disc Shaft Collar Set Screw
5-10	515-A	球形接头和螺钉	Ball Joint Assembly with Screws (Ref. No. 1)
5-11	108	球头固定螺母	Ball Joint Set Screw
5-12	4176	球头固定螺母	Ball Joint Nut
5-13	4102	起菱盘调节柄	Disc Adjusting Holder
5-14	4108	调节柄调节螺钉	Disc Adjusting Holder Front Bearing Screw
5-15	98	调节柄轴固定螺母	Disc Adjusting Holder Front Bearing Set Screw
5-16	4107	调节柄锥形销	Disc Adjusting Holder Front Bearing Pin
5-17	98-A	调节柄锥形销螺母	Disc Adjusting Holder Front Bearing Pin Set Screw
5-18	4104	调节柄弹簧	Disc Adjusting Holder Spring
5-19	4105	调节柄弹簧螺母	Disc Adjusting Holder Spring Screw
5-20	4106	调节柄弹簧螺母	Disc Adjusting Holder Spring Nut
5-21	4103-A	调节柄弹簧螺母	Disc Adjusting Holder Spring Stud
5-22	5208	调节柄弹簧拉销螺母	Disc Adjusting Holder Spring Stud Nut
5-23	11075-A	抬压脚踏	Feed Plate Shaft
5-24	4043	抬压脚踏套管	Feed Plate Shaft Bushing
5-25	98	套管螺钉	Feed Plate Shaft Bushing Set Screw
5-26	4090	抬压脚踏轴环	Feed Plate Shaft Collar
5-27	129-B	抬压脚踏轴环螺母	Feed Plate Shaft Collar Set Screw
5-28	516-B	压脚组件	Ball/Nut Assembly with Screws (Ref. No. 2)
5-29	4101	压脚螺母	Feed Plate Taper Bearing Screw
5-30	4070	压脚螺母	Feed Plate Nut
5-31	4096	压脚轴位螺母	Feed Plate Slotted Bearing Screw
5-32	4093-BA	压脚拉簧	Feed Plate Spring
5-33	4094	压脚拉簧螺母	Feed Plate Spring Screw
5-34	4095	压脚拉簧螺母	Feed Plate Spring Adjusting Nut
5-35	4097-A	压脚托架	Feed Plate Bracket
5-36	113-B	托架螺钉	Feed Plate Bracket Set Screw
5-37	4122	调节显示屏	Disc Adjusting Dial
5-38	4129	调节显示屏螺钉	Disc Adjusting Dial Set Screw
5-39	519-AA	起菱盘调节器	Disc Adjusting Regulator Assembly
5-40	4010	钢球	Disc Adjusting Regulator Ball
5-41	4011	调节弹簧	Disc Adjusting Regulator Spring
5-42	115	调节底座螺钉	Disc Adjusting Regulator Disc Set Screw



# 压线装置零部件

## Thread Tension & Nipper Parts Components

序号 Ref.NO.	部件号码 Parts No.	部件名称 Description	部件名称 Description
7-1	11136	引线装置	Thread Guide With Ceramic
7-2	113-A	引线装置螺钉	Thread Guide Set Screw
7-3	81	压线螺母	Thread Tension Nut
7-4	79-B	压线弹簧	Thread Tension Spring
7-5	77	压线垫圈	Thread Tension Washer
7-6	5190-A	压线板	Thread Tension Disc
7-7	4204	压线板档销	Thread Tension Disc Pin
7-8	4209	压线杆	Thread Tension Staff
7-9	4068-A	压线杆托架	Thread Tension Staff Bracket
7-10	4201	压线杆螺母	Thread Tension Staff Nut
7-11	4202	线迹松紧销	Thread Tension Releasing Pin
7-12	4203-A	引线装置	Thread Guide
7-13	4193	引线装置托架	Thread Guide Set Screw
7-14	4199	夹线螺母	Thread Nipper Nut
7-15	4198	夹线弹簧	Thread Nipper Spring
7-16	77	夹线垫圈	Thread Nipper Washer
7-17	5190-A	压线板	Thread Nipper Disc
7-18	5067	压线杆	Thread Nipper Staff
7-19	4197	线夹支柱	Thread Nipper Disc Prop
7-20	11162	线夹松紧钉	Thread Nipper Releasing Pin
7-21	6053	线夹松紧套筒	Thread Nipper Releasing Pin Collar
7-22	130-B	松紧钉套筒螺母	Thread Nipper Releasing Pin Collar Set Screw
7-23	4195-C	线夹松紧钉支柱	Thread Nipper Releasing Pin Support
7-24	8158	松紧钉支柱螺钉	Thread Nipper Releasing Pin Support Set Screw
7-25	4194-A	线夹松紧钉杆	Thread Nipper Releasing Pin Lever
7-26	8158	线夹松紧钉杆螺钉	Thread Nipper Releasing Pin Lever Set Screw





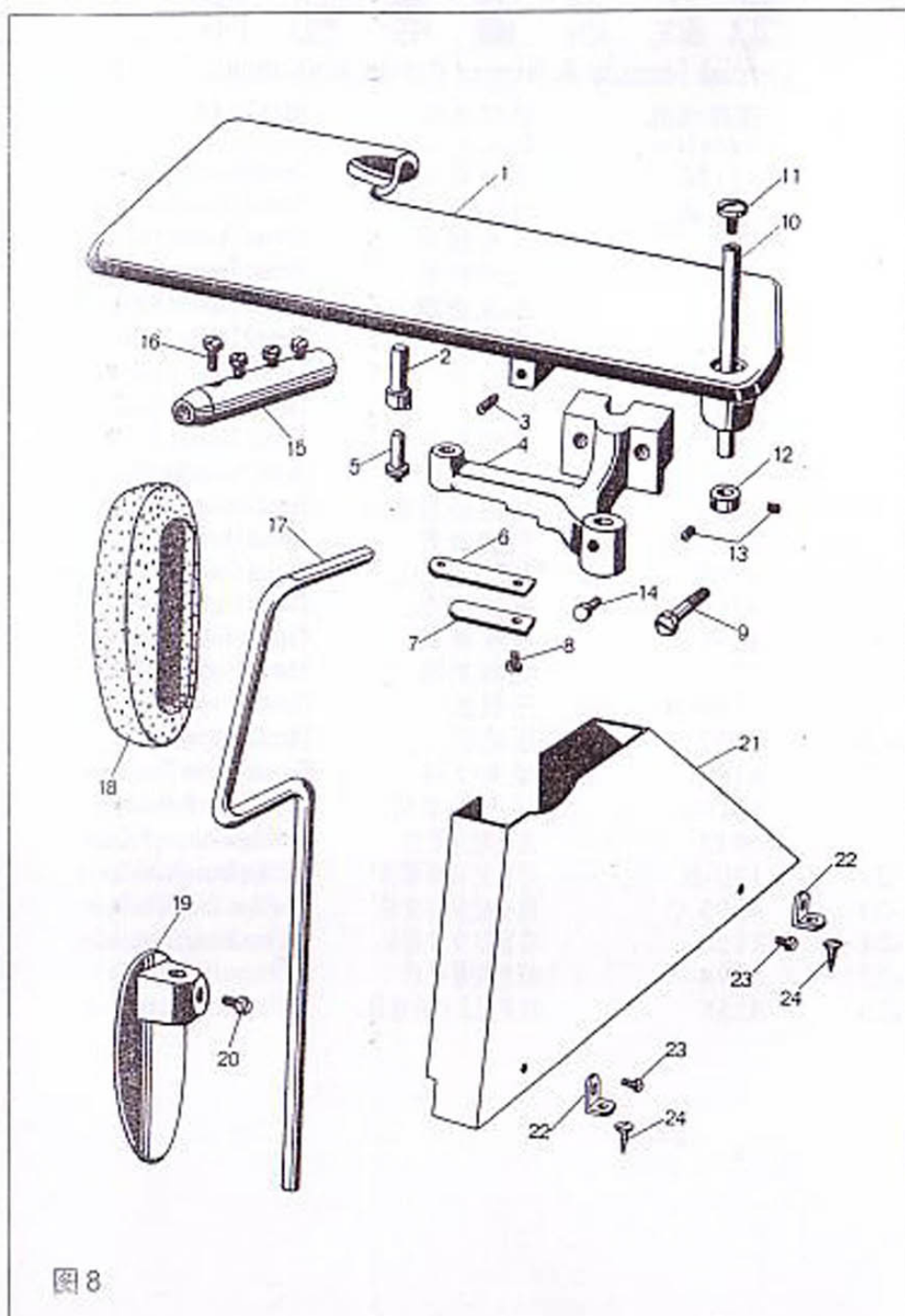


图 8

## 操作板，压杆及皮带部位的零部

### Work Plate, Knee Press & Belt Cover Parts Components

序号 Ref.NO.	部件号码 Parts N o.	部件名称 Description	部件名称 Description
8-1	4153	面板	Work Plate
8-2	4156	面板固定销	Work Plate Latch
8-3	4230	面板固定销螺钉	Work Plate Latch Set Screw
8-4	4157-A	面板支架	Work Plate Bracket
8-5	4159	面板支架弹簧销	Work Plate Bracket Spring Pin
8-6	4160	面板支架长弹簧片	Work Plate Bracket Leaf Spring(Long)
8-7	4161	面板支架短弹簧片	Work Plate Bracket Leaf Spring(Short)
8-8	4048-A	面板支架弹簧片螺钉	Work Plate Bracket Leaf Spring Set Screw
8-9	4158	面板支架固定螺钉	Work Plate Bracket Set Screw
8-10	4154-A	面板轴	Work Plate Shaft
8-11	99-A	面板螺钉	Work Plate Shaft Screwed Cap
8-12	4155	面板轴套筒	Work Plate Shaft Collar
8-13	132	套筒螺钉	Work Plate Shaft Collar Set Screw
8-14	4180	面板轴螺钉	Work Plate Shaft Set Screw
8-15	4146-A	压杆套筒	Work Press Rod Sleeve
8-16	4147-B	压杆套筒螺钉	Knee Press Rod Sleeve Set Screw
8-17	4148-A	压杆	Knee Press Rod
8-18	4212	护垫	Knee Press Pad
8-19	4149	压板	Knee Press Plate
8-20	4147-B	压板螺钉	Knee Press Plate Set Screw
*8-21	4219-A	皮带罩	Belt Cover
*8-22	11554	皮带罩托架	Belt Cover Bracket
*8-23	5233	皮带罩架螺钉	Belt Cover Bracket Set Screw
*8-24	11557	皮带罩木螺钉	Belt Cover Wood Screw

\*EXTRA ACCESSORIES